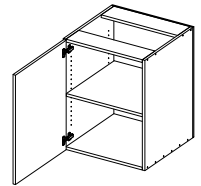
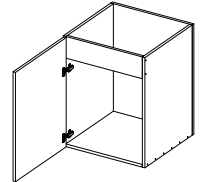


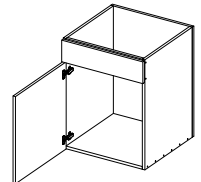
SSi CASEWORK
CABINETS



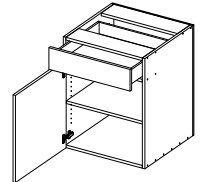
FDB -FULL DOOR BASE CABINET
1 ADJUSTABLE SHELF
STANDARD DEPTH 24"
& 21" **FDV**-FULL DOOR VANITY
STANDARD HEIGHT 30½"



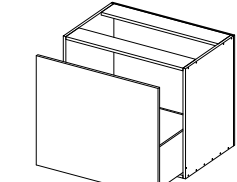
SBFD -SINK BASE FULL DOOR CABINET
STANDARD DEPTH 24"
& 21" **VSBFD** -VANITY SINK FULL DOOR
STANDARD HEIGHT 30½"



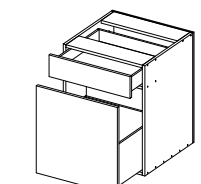
SB -SINK BASE
STANDARD DEPTH 24"
& 21" **VSB** -VANITY SINK BASE
STANDARD HEIGHT 30½"



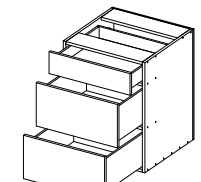
B -BASE CABINET
1 DRAWER
1 ADJUSTABLE SHELF
STANDARD DEPTH 24"
& 21" **V** -VANITY
STANDARD HEIGHT 30½"



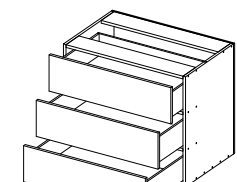
1DB -1 DRAWER BASE
CABINET STANDARD DEPTH 24"
STANDARD HEIGHT 30½"



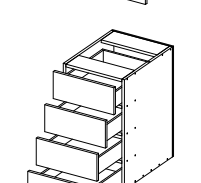
2DB -2 DRAWER BASE
CABINET STANDARD DEPTH 24"
STANDARD HEIGHT 30½"



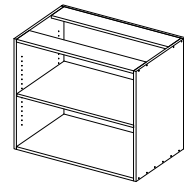
3DB -3 DRAWER BASE
CABINET STANDARD DEPTH 24"
STANDARD HEIGHT 30½"



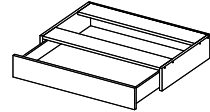
3EDB -3 EQUAL DRAWER BASE CABINET
STANDARD DEPTH 24"
STANDARD HEIGHT 30½"



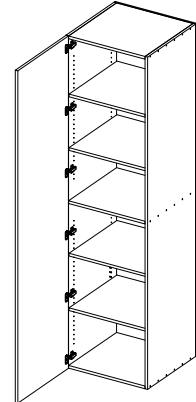
4EDB -4 EQUAL DRAWER BASE CABINET
STANDARD DEPTH 24"
STANDARD HEIGHT 30½"



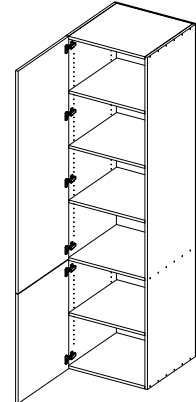
BOS -BASE OPEN SHELF CABINET
1 ADJUSTABLE SHELF
STANDARD DEPTH 24"
STANDARD HEIGHT 30½"



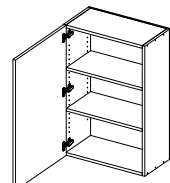
BDD -BASE DESK DRAWER CABINET
STANDARD HEIGHT 6 ¼"
STANDARD DEPTH 24"



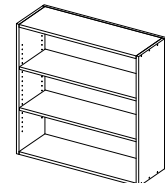
UFD -UTILITY FULL DOOR CABINET
1 FIXED SHELF
ADJUSTABLE SHELF
PER 15" OF HEIGHT
STANDARD DEPTH 24"



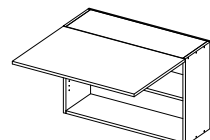
U -UTILITY CABINET
1 FIXED SHELF
ADJUSTABLE SHELF
PER 15" OF HEIGHT
STANDARD DEPTH 24"



W -WALL CABINET
ADJUSTABLE SHELF
PER 15" OF HEIGHT
STANDARD DEPTH 13"
& 24" **RW** -REFRIGERATOR WALL

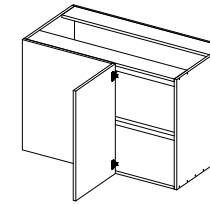


WOS -WALL OPEN SHELF CABINET
ADJUSTABLE SHELF
PER 15" OF HEIGHT
STANDARD DEPTH 13"

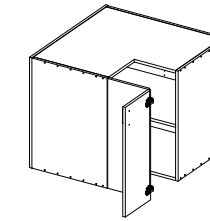


WT -WALL CABINET W/TOP HINGE
ADJUSTABLE SHELF
PER 15" OF HEIGHT
STANDARD DEPTH 13"

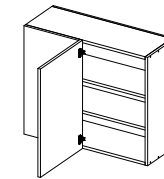
SSi CASEWORK
CABINETS



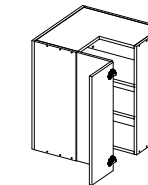
BFDB -BLIND FULL DOOR BASE
1 ADJUSTABLE SHELF
STANDARD DEPTH 24"
STANDARD HEIGHT 30½"



BCFD -BASE CORNER FULL DOOR
1 ADJUSTABLE SHELF
STANDARD DEPTH 24"
STANDARD HEIGHT 30½"



WB -WALL BLIND CABINET
ADJUSTABLE SHELF
PER 15" OF HEIGHT
STANDARD DEPTH 13"



WC -WALL CORNER CABINET
ADJUSTABLE SHELF
PER 15" OF HEIGHT
STANDARD DEPTH 13"

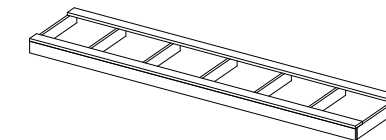
ACCESSORIES



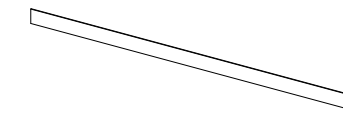
FEP -FINISHED END PANEL
STANDARD WIDTH 13", 24"
STANDARD LENGTH 96"
STANDARD THICKNESS ¾"



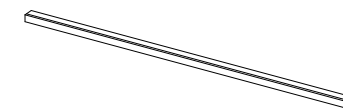
F -FILLER
STANDARD WIDTH 3"X3"
STANDARD LENGTH 96"



PTK -PLYWOOD TOE KICK
STANDARD HEIGHT 4"
STANDARD DEPTH 21"
STANDARD LENGTH 96"



TKF -TOE KICK FRONT
STANDARD HEIGHT 4"
STANDARD THICKNESS 1/4"
STANDARD LENGTH 96"



LV -LIGHT VALANCE
STANDARD HEIGHT 2"
STANDARD LENGTH 96"

FDB

FDV

SSi CASEWORK

FULL DOOR BASE & VANITY CABINETS

Full Door Base

Standard depth 24" excluding door.
Standard height of the box 30 1/2" excluding toe kick.

When ordering custom sizes please include depth and height of the box (excl. toe kick)

FDB Width/Height/Depth (in inches)

Box Construction

Standard cabinets have 3/4" white melamine PB sides, bottom, stretchers and shelves with white PVC on all visible edges, and 1/2" white melamine PB back.

Premium cabinets have 3/4" maple veneer plywood sides, bottom, stretchers and shelves with maple edge band on all visible edges, and 1/2" maple veneer plywood back.

Hardware

Concealed, adjustable, soft close hinges

Door

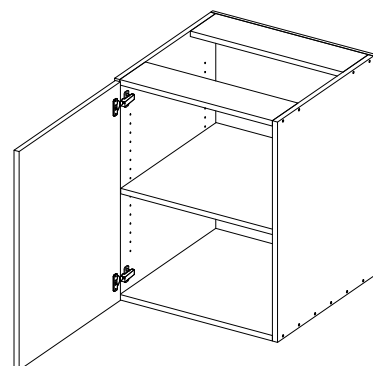
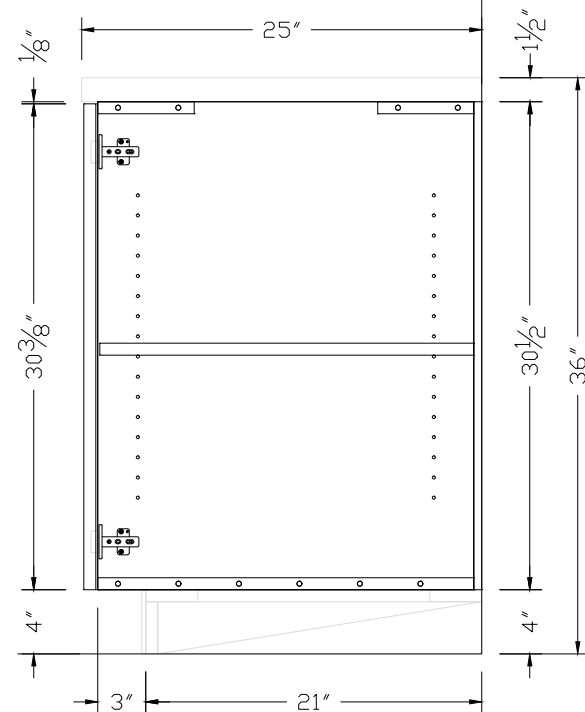
See finishes

Toe Kick Frame & Front

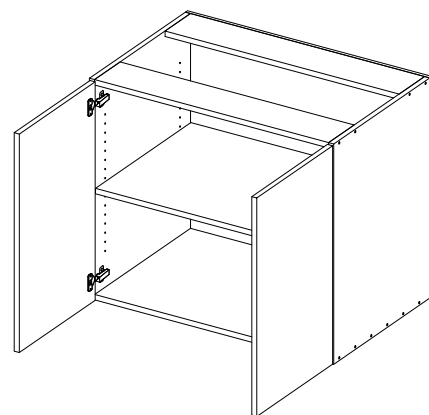
See accessories

Full Door Vanity

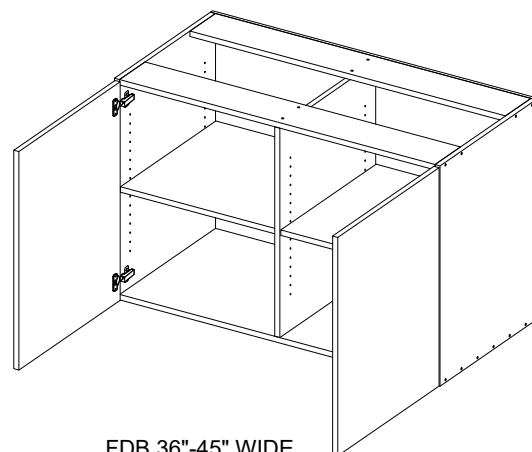
Standard depth 21" excluding door.



FDB 12"-24" WIDE



FDB 24"-36" WIDE



FDB 36"-45" WIDE

24" & 21" DEEP FULL DOOR BASE CABINET														
FDB/FDV	WIDTH													
	1 DOOR					2 DOORS				2 DOORS W/ DIVISION				
	12	15	18	21	24	24	27	30	33	36	36	39	42	45
30 1/2" H	261	288	309	322	349	387	408	422	443	456	483	514	544	567

FINISH	MULTIPLIER
PB FL1	1
PB FL2	1.3
PB FL3	1.6
PB FL4	1.9
PLY FL1	1.7
PLY FL2	2
PLY FL3	2.3
PLY FL4	2.6

SSi CASEWORK

FULL DOOR SINK BASE & VANITY SINK BASE CABINETS

SBFD

VSBFD

Full Door Sink Base

Standard depth 24" excluding door.
Standard height of the box 30 1/2" excluding toe kick.

When ordering custom sizes please include depth and height of the box (excl. toe kick)

SB Width/Height/Depth (in inches)

Box Construction

Standard cabinets have 3/4" white melamine PB sides, bottom, stretchers and shelves with white PVC on all visible edges, and 1/2" white melamine PB back.

Premium cabinets have 3/4" maple veneer plywood sides, bottom, stretchers and shelves with maple edge band on all visible edges, and 1/2" maple veneer plywood back.

Hardware

Concealed, adjustable, soft close hinges

Door

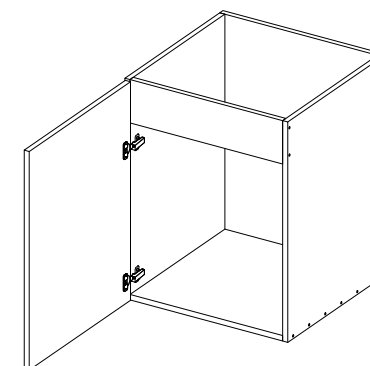
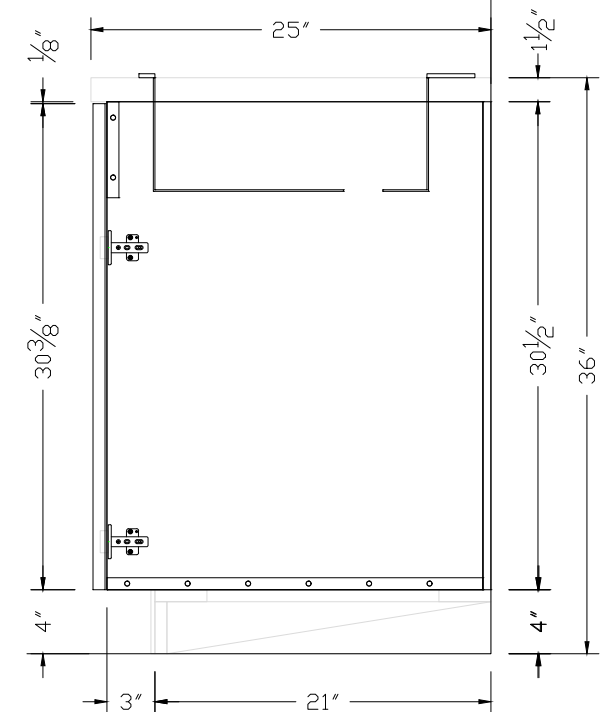
See finishes

Toe Kick Frame & Front

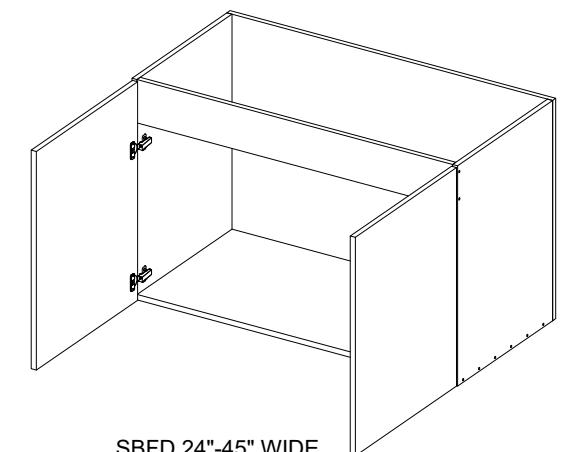
See accessories

Full Door Vanity Sink Base

Standard depth 21" excluding door.



SBFD 12"-24" WIDE



SBFD 24"-45" WIDE

FINISH	MULTIPLIER
PB FL1	1
PB FL2	1.3
PB FL3	1.6
PB FL4	1.9
PLY FL1	1.7
PLY FL2	2
PLY FL3	2.3
PLY FL4	2.6

24" & 21" DEEP SINK BASE CABINET															
SBFD/VSBFD	WIDTH														
	1 DOOR					2 DOORS									
	12	15	18	21	24	24	27	30	33	36	39	42	45		
30 1/2" H	253	276	297	311	341	385	406	420	441	464	506	533	564		

BFDB

SSi CASEWORK

BASE FULL DOOR BLIND

Base Full Door Blind Cabinet

Standard depth 24" excluding door.

Standard height of the box 30 1/2" excluding toe kick.

When ordering custom sizes please include depth and height of the box (excl. toe kick)

BFDB Width/Height/Depth (in inches)

Box Construction

Standard cabinets have 3/4" white melamine PB sides, bottom, stretchers and shelves with white PVC on all visible edges, and 1/2" white melamine PB back.

Premium cabinets have 3/4" maple veneer plywood sides, bottom, stretchers and shelves with maple edge band on all visible edges, and 1/2" maple veneer plywood back.

Hardware

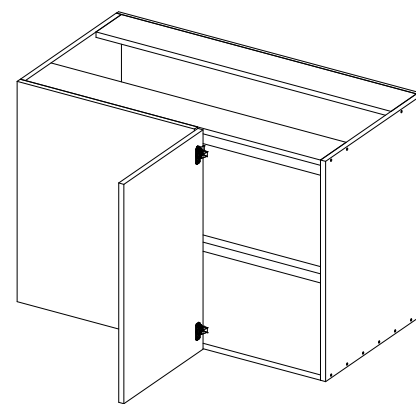
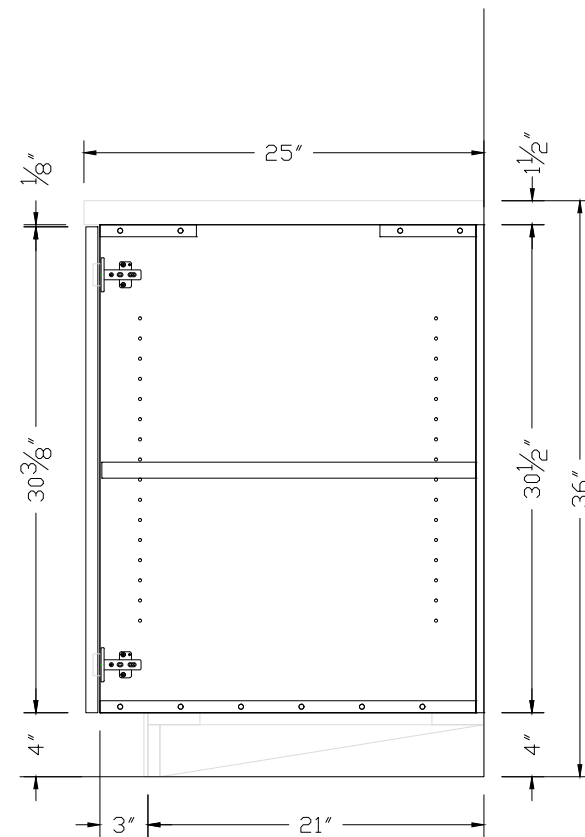
Concealed, adjustable, soft close hinges

Door

See finishes

Toe Kick Frame & Front

See accessories



BFDB 36"-45" WIDE

24" DEEP BASE FULL DOOR BLIND				
BFDB	WIDTH			
	1 DOOR			
	36	39	42	45
30 1/2" H	479	510	544	575

FINISH	MULTIPLIER
PB FL1	1
PB FL2	1.3
PB FL3	1.6
PB FL4	1.9
PLY FL1	1.7
PLY FL2	2
PLY FL3	2.3
PLY FL4	2.6

BCFD

SSi CASEWORK

BASE CORNER FULL DOOR

Base Corner Full Door Cabinet

Standard depth 24" excluding door.

Standard height of the box 30 1/2" excluding toe kick.

When ordering custom sizes please include depth and height of the box (excl. toe kick)

BCFD Width/Height/Depth (in inches)

Box Construction

Standard cabinets have 3/4" white melamine PB sides, bottom, stretchers and shelves with white PVC on all visible edges, and 1/2" white melamine PB back.

Premium cabinets have 3/4" maple veneer plywood sides, bottom, stretchers and shelves with maple edge band on all visible edges, and 1/2" maple veneer plywood back.

Hardware

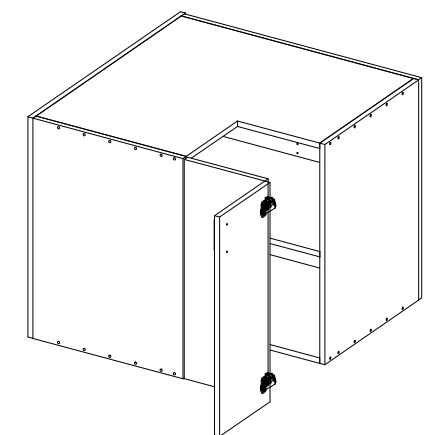
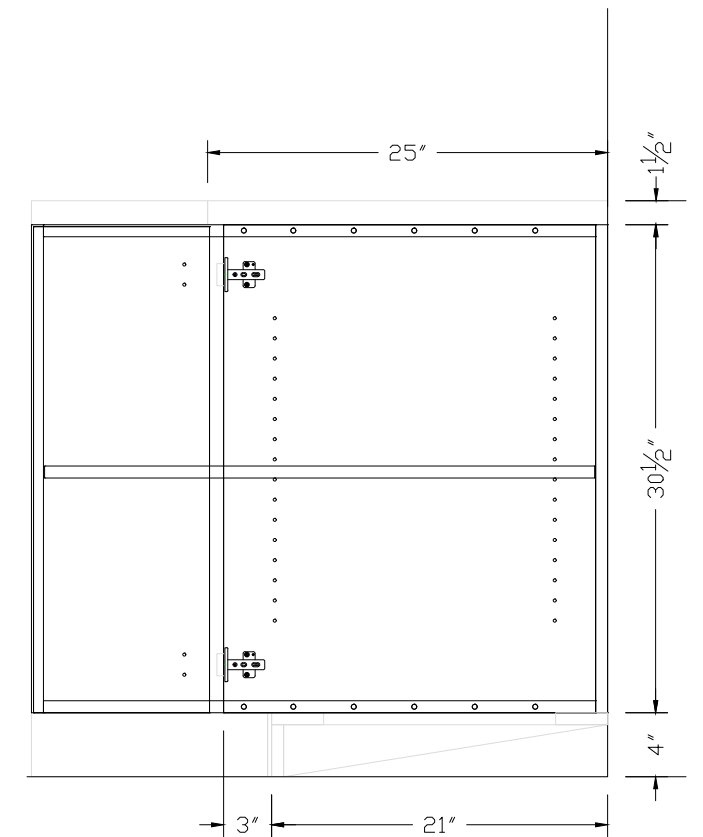
Concealed, adjustable, soft close hinges

Door

See finishes

Toe Kick Frame & Front

See accessories



BCFD 36"-45" WIDE

24" DEEP BASE CORNER FULL DOOR				
BCFD	WIDTH			
	1 DOOR			
	36	39	42	45
30 1/2" H	437	510	544	579

FINISH	MULTIPLIER
PB FL1	1
PB FL2	1.3
PB FL3	1.6
PB FL4	1.9
PLY FL1	1.7
PLY FL2	2
PLY FL3	2.3
PLY FL4	2.6

SB

VSB

SSi CASEWORK

SINK BASE & VANITY SINK BASE

Sink Base

Standard depth 24" excluding door.
Standard height of the box 30 1/2" excluding toe kick.

When ordering custom sizes please include depth and height of the box (excl. toe kick)
SBF Width/Height/Depth (in inches)

Box Construction

Standard cabinets have 3/4" white melamine PB sides, bottom, stretchers and shelves with white PVC on all visible edges, and 1/2" white melamine PB back.

Premium cabinets have 3/4" maple veneer plywood sides, bottom, stretchers and shelves with maple edge band on all visible edges, and 1/2" maple veneer plywood back.

Hardware

Concealed, adjustable, soft close hinges

Door, False Front

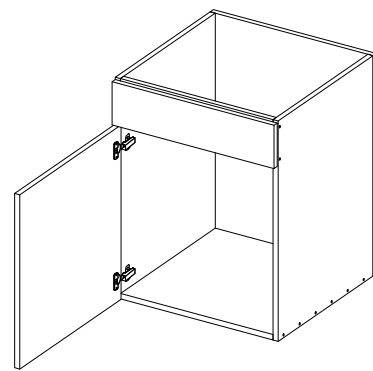
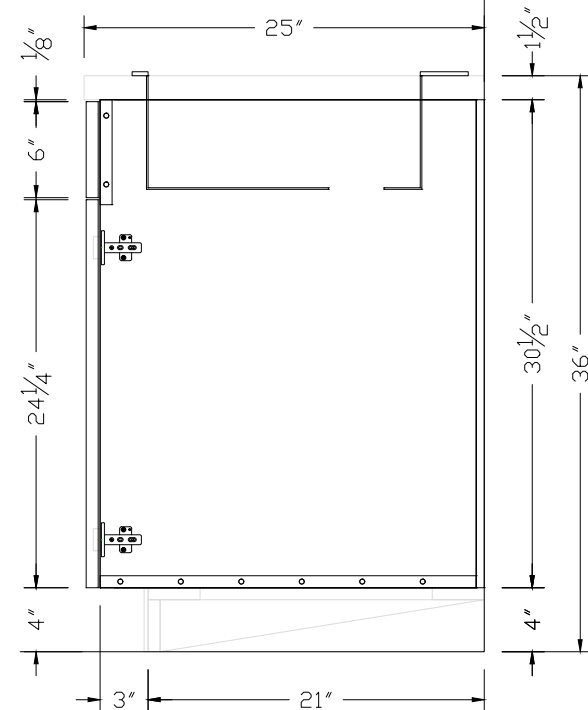
See finishes

Toe Kick Frame & Front

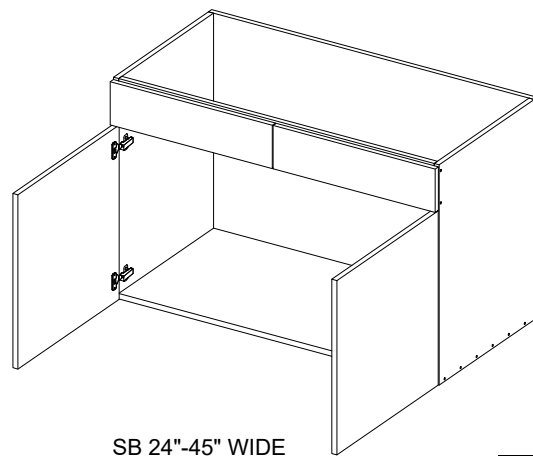
See accessories

Vanity Sink Base

Standard depth 21" excluding door.



SB 12"-24" WIDE



SB 24"-45" WIDE

FINISH	MULTIPLIER
PB FL1	1
PB FL2	1.3
PB FL3	1.6
PB FL4	1.9
PLY FL1	1.7
PLY FL2	2
PLY FL3	2.3
PLY FL4	2.6

24" & 21" DEEP SINK BASE CABINET													
SB/VSB	WIDTH												
	1 DOOR 1 FALSE FRONT					2 DOORS 2 FALSE FRONTS							
	12	15	18	21	24	24	27	30	33	36	39	42	45
30 1/2" H	261	284	305	318	349	397	414	427	449	472	510	541	575

SSi CASEWORK

BASE & VANITY

B

V

Base Cabinet

Standard depth 24" excluding door.
Standard height of the box 30 1/2" excluding toe kick.

When ordering custom sizes please include depth and height of the box (excl. toe kick)
BD Width/Height/Depth (in inches)

Box Construction

Standard cabinets have 3/4" white melamine PB sides, bottom, stretchers and shelves with white PVC on all visible edges, and 1/2" white melamine PB back.

Premium cabinets have 3/4" maple veneer plywood sides, bottom, stretchers and shelves with maple edge band on all visible edges, and 1/2" maple veneer plywood back.

Hardware

Concealed, adjustable, soft close hinges

Door, Drawer Front

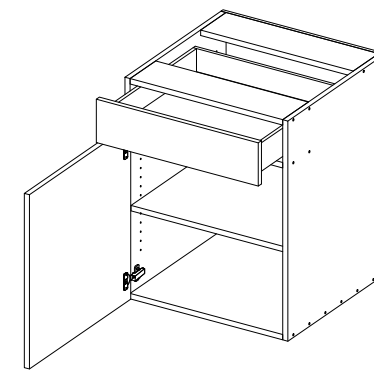
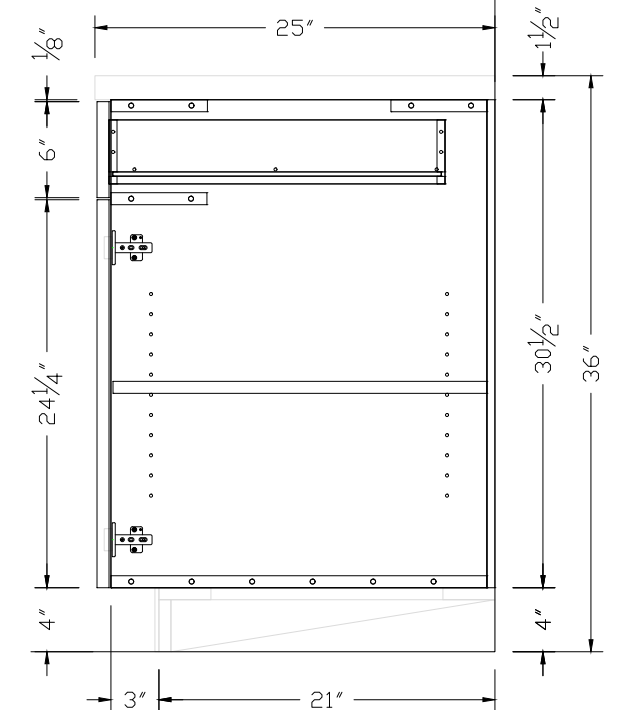
See finishes

Toe Kick Frame & Front

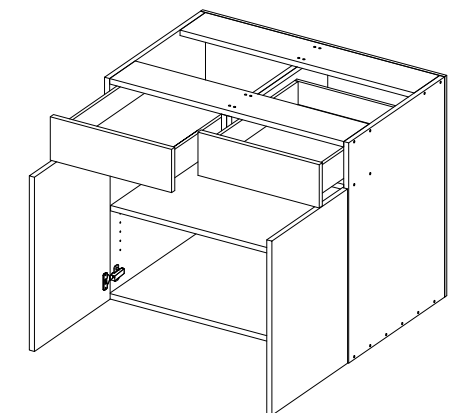
See accessories

Vanity Cabinet

Standard depth 21" excluding door.



B 12"-24" WIDE



B 24"-36" WIDE

FINISH	MULTIPLIER
PB FL1	1
PB FL2	1.3
PB FL3	1.6
PB FL4	1.9
PLY FL1	1.7
PLY FL2	2
PLY FL3	2.3
PLY FL4	2.6

24" & 21" DEEP BASE/VANITY CABINET										
B/V	WIDTH									
	1 DOOR					2 DOORS				
	12	15	18	21	24	24	27	30	33	36
30 1/2" H	383	420	443	462	498	610	634	654	682	705

1 Drawer Base Cabinets

Standard depth 24" excluding front panel
Standard height of the box 30 1/2" excluding toe kick

When ordering custom sizes please include depth and height of the box (excl. toe kick)

1DB Width/Height/Depth (in inches)

Box Construction

Standard cabinets have 3/4" white melamine PB sides, bottom, stretchers and shelves with white PVC on all visible edges, and 1/2" white melamine PB back.

Premium cabinets have 3/4" maple veneer plywood sides, bottom, stretchers and shelves with maple edge band on all visible edges, and 1/2" maple veneer plywood back.

Drawer Box

Standard cabinets have white melamine PB drawer
Premium cabinets have solid wood dove tail drawer

Hardware

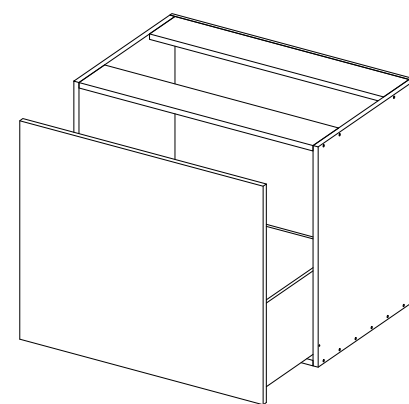
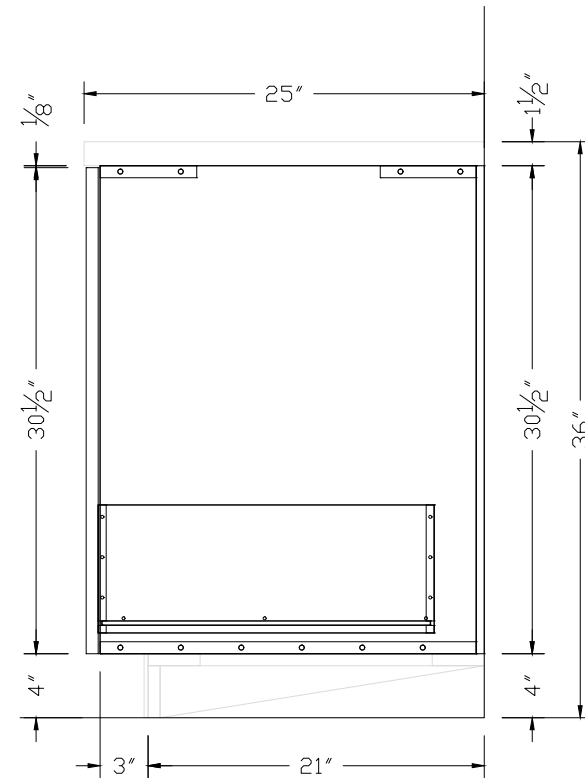
Undermount, soft close drawer slides

Drawer Front

See finishes

Toe Kick Frame & Front

See accessories



1DB 12"-36" WIDE

24" DEEP 1 DRAWER BASE CABINET									
1DB	WIDTH								
	1 FULL HEIGHT DRAWER								
	12	15	18	21	24	27	30	33	36
30 1/2" H	420	449	475	496	541	560	594	623	659

FINISH	MULTIPLIER
PB FL1	1
PB FL2	1.3
PB FL3	1.6
PB FL4	1.9
PLY FL1	1.7
PLY FL2	2
PLY FL3	2.3
PLY FL4	2.6

2 Drawer Base Cabinets

Standard depth 24" excluding front panel
Standard height of the box 30 1/2" excluding toe kick

When ordering custom sizes please include depth and height of the box (excl. toe kick)

2DB Width/Height/Depth (in inches)

Box Construction

Standard cabinets have 3/4" white melamine PB sides, bottom, stretchers and shelves with white PVC on all visible edges, and 1/2" white melamine PB back.

Premium cabinets have 3/4" maple veneer plywood sides, bottom, stretchers and shelves with maple edge band on all visible edges, and 1/2" maple veneer plywood back.

Drawer Box

Standard cabinets have white melamine PB drawers
Premium cabinets have solid wood dove tail drawers

Hardware

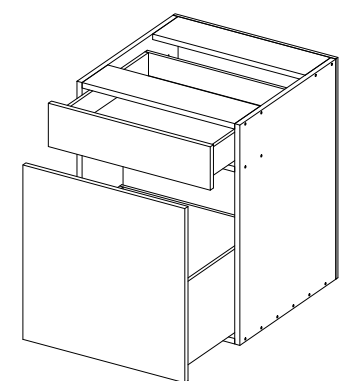
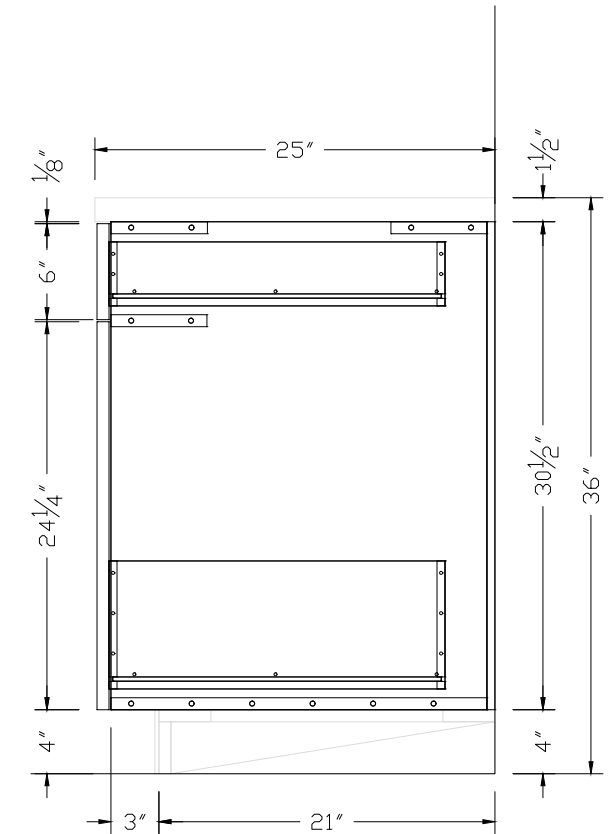
Undermount, soft close drawer slides

Drawer Front

See finishes

Toe Kick Frame & Front

See accessories



2DB 12"-24" WIDE

24" DEEP 2 DRAWER BASE CABINET						
2DB	WIDTH					
	6" TOP/ & 24 1/8" BOTTOM DR					
	12	15	18	21	24	
30 1/2" H	552	585	613	640	690	

FINISH	MULTIPLIER
PB FL1	1
PB FL2	1.3
PB FL3	1.6
PB FL4	1.9
PLY FL1	1.7
PLY FL2	2
PLY FL3	2.3
PLY FL4	2.6

3DB

3 DRAWER BASE

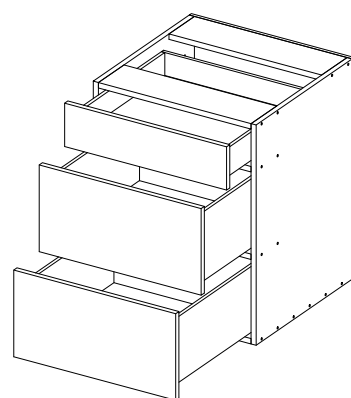
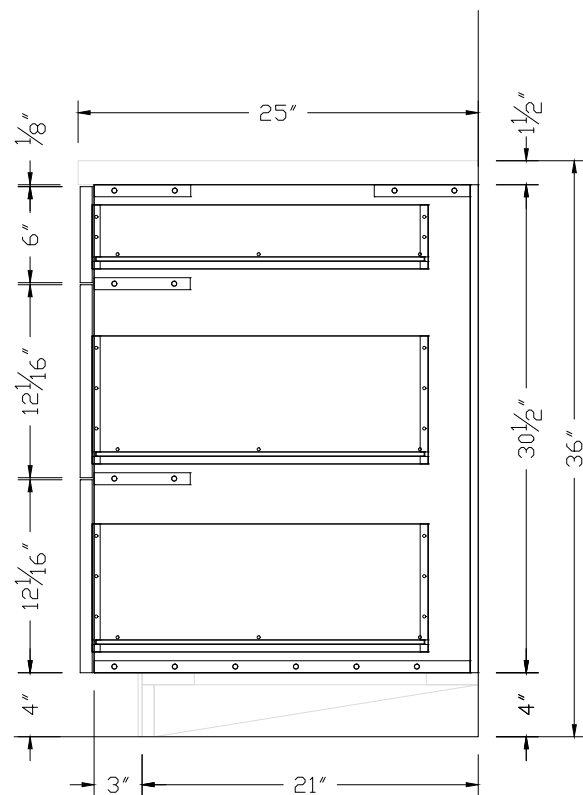
SSi CASEWORK

3 EQUAL DRAWER BASE

3EDB

3 Drawer Base Cabinets

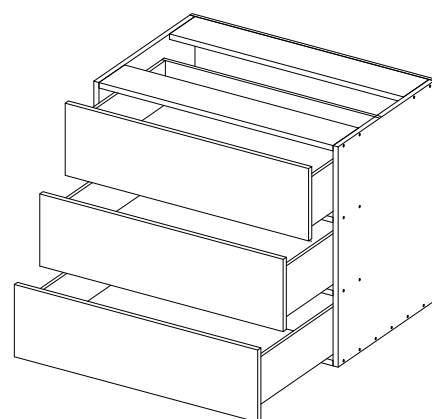
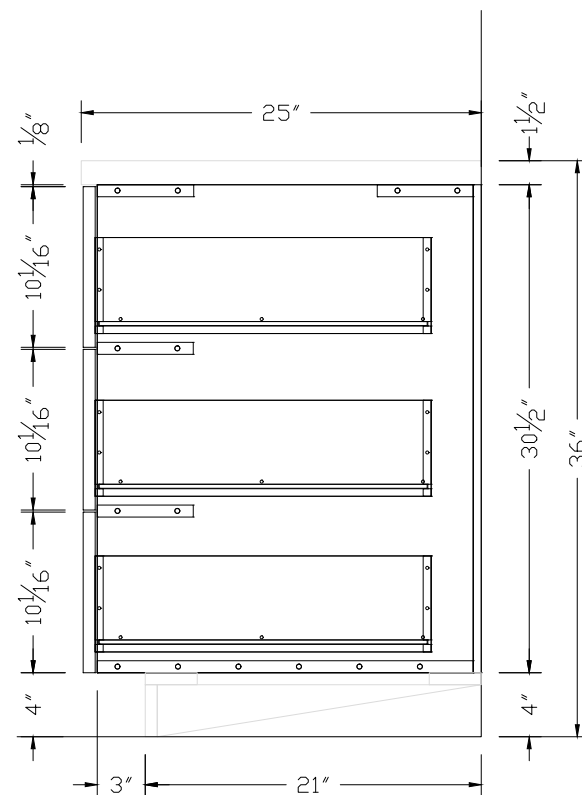
Standard depth 24" excluding front panel
Standard height of the box 30 1/2" excluding toe kick



3DB 12"-36" WIDE

3 Equal Drawer Base Cabinets

Standard depth 24" excluding front panel
Standard height of the box 30 1/2" excluding toe kick



3EDB 12"-36" WIDE

24" DEEP 3 DRAWER BASE CABINET

3DB	WIDTH				
	6" TOP & 2 -12" DRAWERS				
	12	15	18	21	24
30 1/2" H	713	746	776	820	863

24" DEEP 3 EQUAL DRAWER BASE CABINET

3EDB	WIDTH								
	3-10" DRAWERS								
	12	15	18	21	24	27	30	33	36
30 1/2" H	680	713	753	786	836	868	909	941	981

FINISH	MULTIPLIER
PB FL1	1
PB FL2	1.3
PB FL3	1.6
PB FL4	1.9
PLY FL1	1.7
PLY FL2	2
PLY FL3	2.3
PLY FL4	2.6

SSi CASEWORK

4 EQUAL DRAWER BASE

4EDB

4 Equal Drawer Base Cabinets

Standard depth 24" excluding front panel
Standard height of the box 30 1/2" excluding toe kick

When ordering custom sizes please include depth and height of the box (excl. toe kick)

4EDB Width/Height/Depth (in inches)

Box Construction

Standard cabinets have 3/4" white melamine PB sides, bottom, stretchers and shelves with white PVC on all visible edges, and 1/2" white melamine PB back.

Premium cabinets have 3/4" maple veneer plywood sides, bottom, stretchers and shelves with maple edge band on all visible edges, and 1/2" maple veneer plywood back.

Drawer Box

Standard cabinets have white melamine PB drawers
Premium cabinets have solid wood dove tail drawers

Hardware

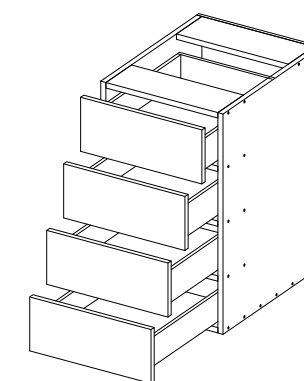
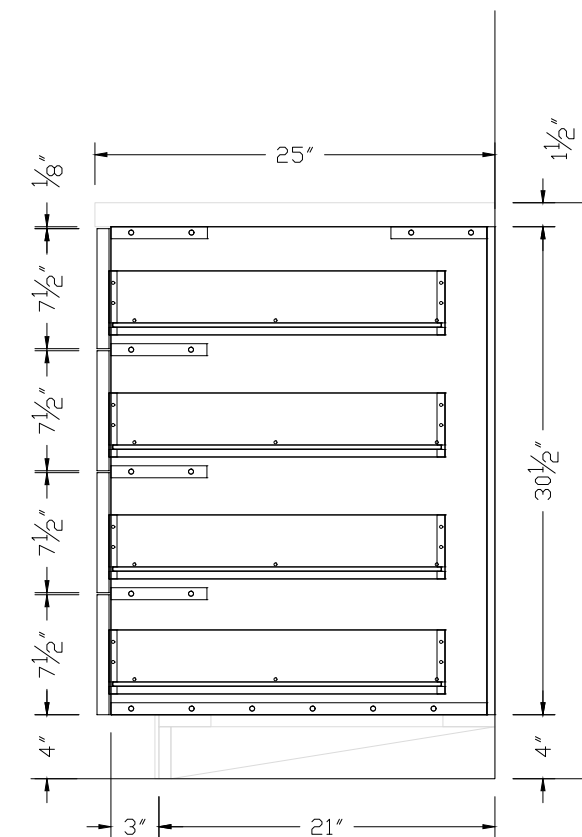
Undermount, soft close drawer slides

Drawer Front

See finishes

Toe Kick Frame & Front

See accessories



4EDB 12"-24" WIDE

FINISH	MULTIPLIER
PB FL1	1
PB FL2	1.3
PB FL3	1.6
PB FL4	1.9
PLY FL1	1.7
PLY FL2	2
PLY FL3	2.3
PLY FL4	2.6

24" DEEP 4 EQUAL DRAWER BASE CABINET

4EDB	WIDTH				
	4-7 1/2" DRAWERS				
	12	15	18	21	24
30 1/2" H	788	817	841	889	932

BASE OPEN SHELF CABINETS

Base Open Shelf Cabinet

Standard depth 24"
Standard height of the box 30 1/2" excluding toe kick

When ordering custom sizes please include depth and height of the box (excl. toe kick)

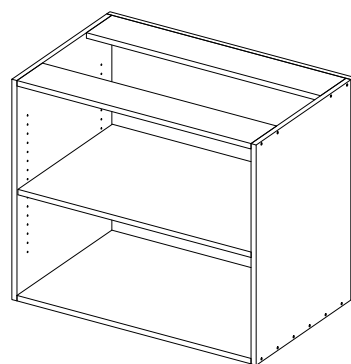
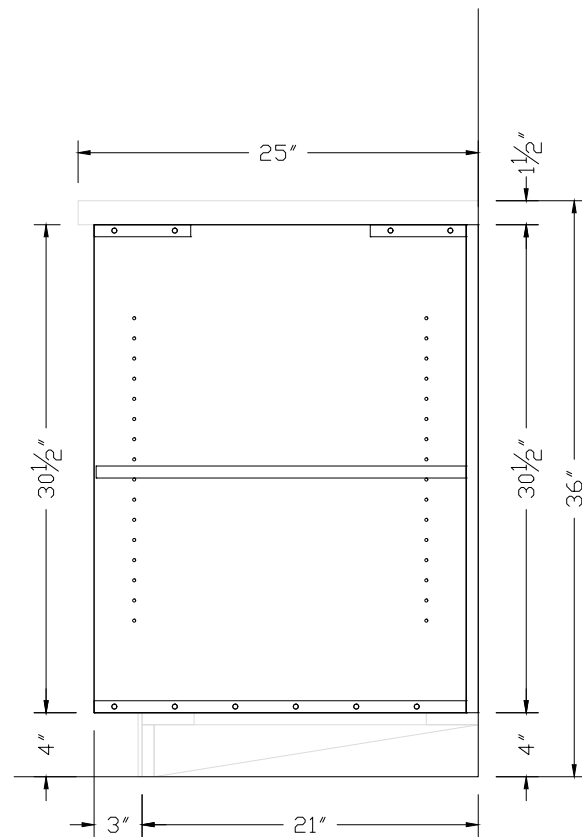
BOS Width/Height/Depth (in inches)

Box Construction

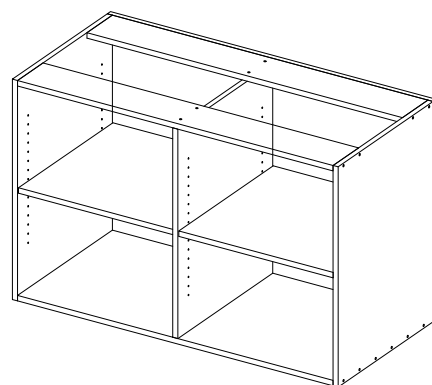
All cabinets have 3/4" MDF or PB sides, bottom, back, stretchers and shelf with matching edge band on all visible edges
See finishes

Toe Kick Frame & Front

See accessories



BOS 12"-36" WIDE



BOS 36"-45" WIDE

24" DEEP BASE OPEN SHELF CABINET													
BOS	WIDTH												
	OPEN							OPEN W/ DIVISION					
	12	15	18	21	24	27	30	33	36	36	39	42	45
30 1/2" H	431	460	493	521	554	615	644	677	705	738	767	799	828

FINISH	MULTIPLIER
FL1	1
FL2	1.8
FL3	2.6
FL4	3.3

BASE DESK DRAWER CABINETS

Base Desk Drawer Cabinet

Standard depth 24" excluding front panel
Standard height of the box 6 1/8"

When ordering custom sizes please include depth and height of the box (excl. toe kick)

BDD Width/Height/Depth (in inches)

Box Construction

Standard cabinets have 3/4" white melamine PB sides, bottom, stretchers and shelves with white PVC on all visible edges, and 1/2" white melamine PB back.

Premium cabinets have 3/4" maple veneer plywood sides, bottom, stretchers and shelves with maple edge band on all visible edges, and 1/2" maple veneer plywood back.

Drawer Box

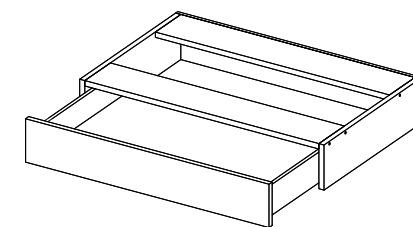
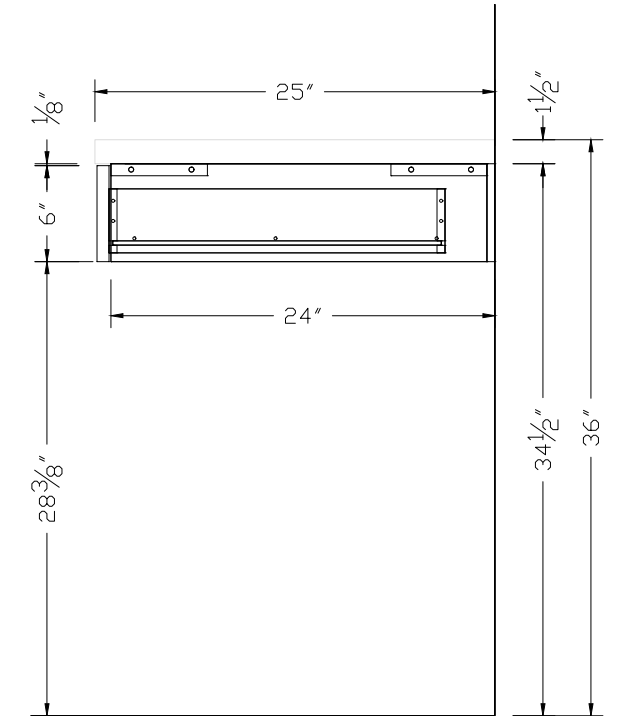
Standard cabinets have white melamine PB drawers
Premium cabinets have solid wood dove tail drawers

Hardware

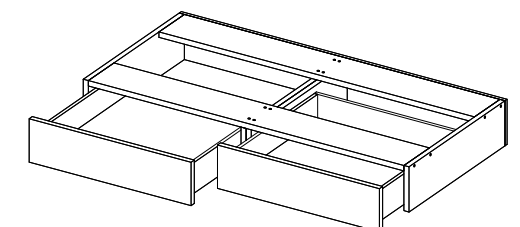
Undermount, soft close drawer slides

Drawer Front

See finishes



BDD 12"-36" WIDE



BDD 36"-45" WIDE

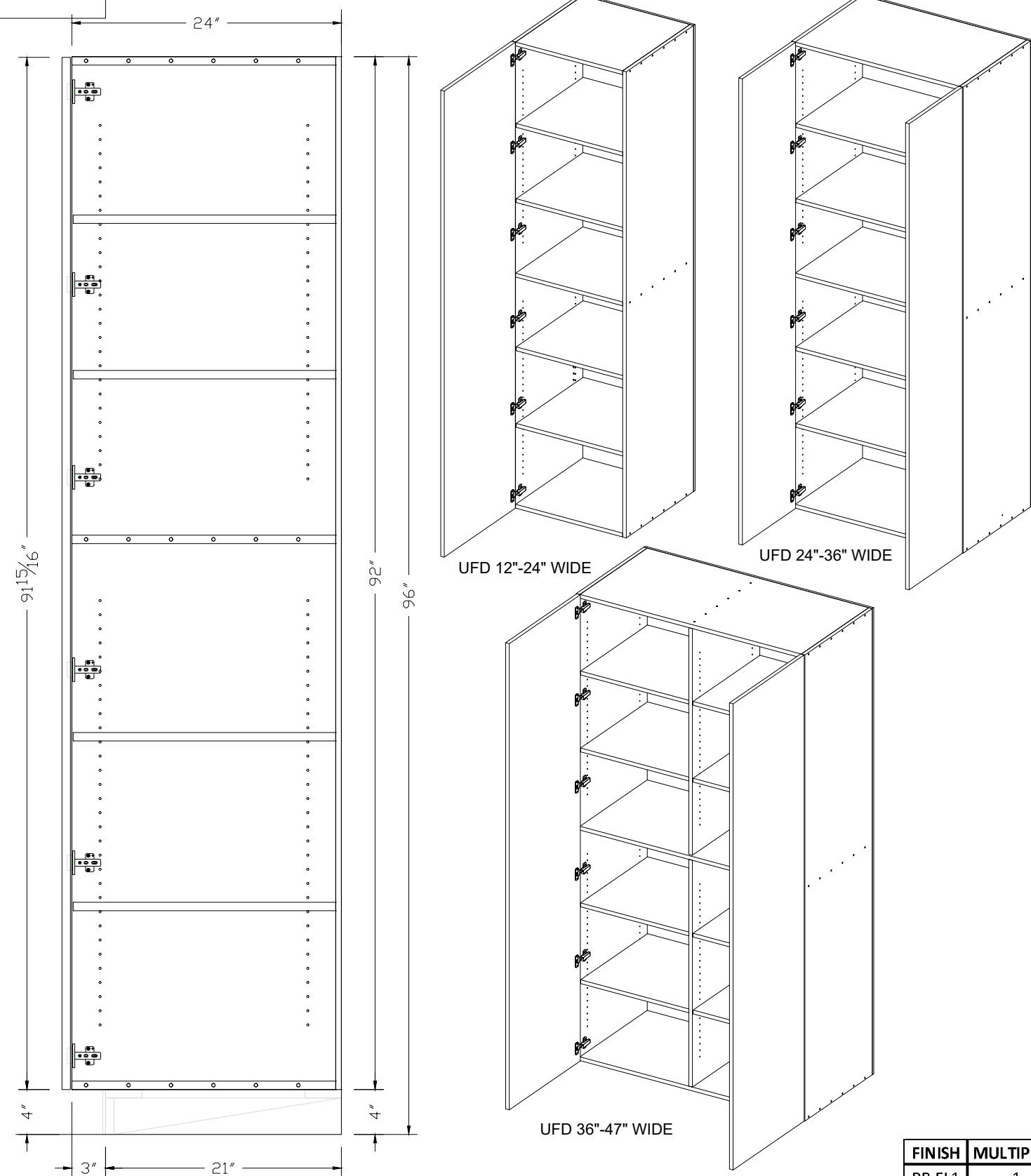
FINISH	MULTIPLIER
PB FL1	1
PB FL2	1.3
PB FL3	1.6
PB FL4	1.9
PLY FL1	1.7
PLY FL2	2
PLY FL3	2.3
PLY FL4	2.6

24" DEEP BASE DESK DRAWER CABINET													
BDD	WIDTH												
	1 DRAWER							2 DRAWERS					
	12	15	18	21	24	27	30	33	36	36	39	42	45
6 1/4" H	270	283	297	311	330	337	354	365	385	489	507	517	535

UFD

UTILITY FULL DOOR

SSi CASEWORK



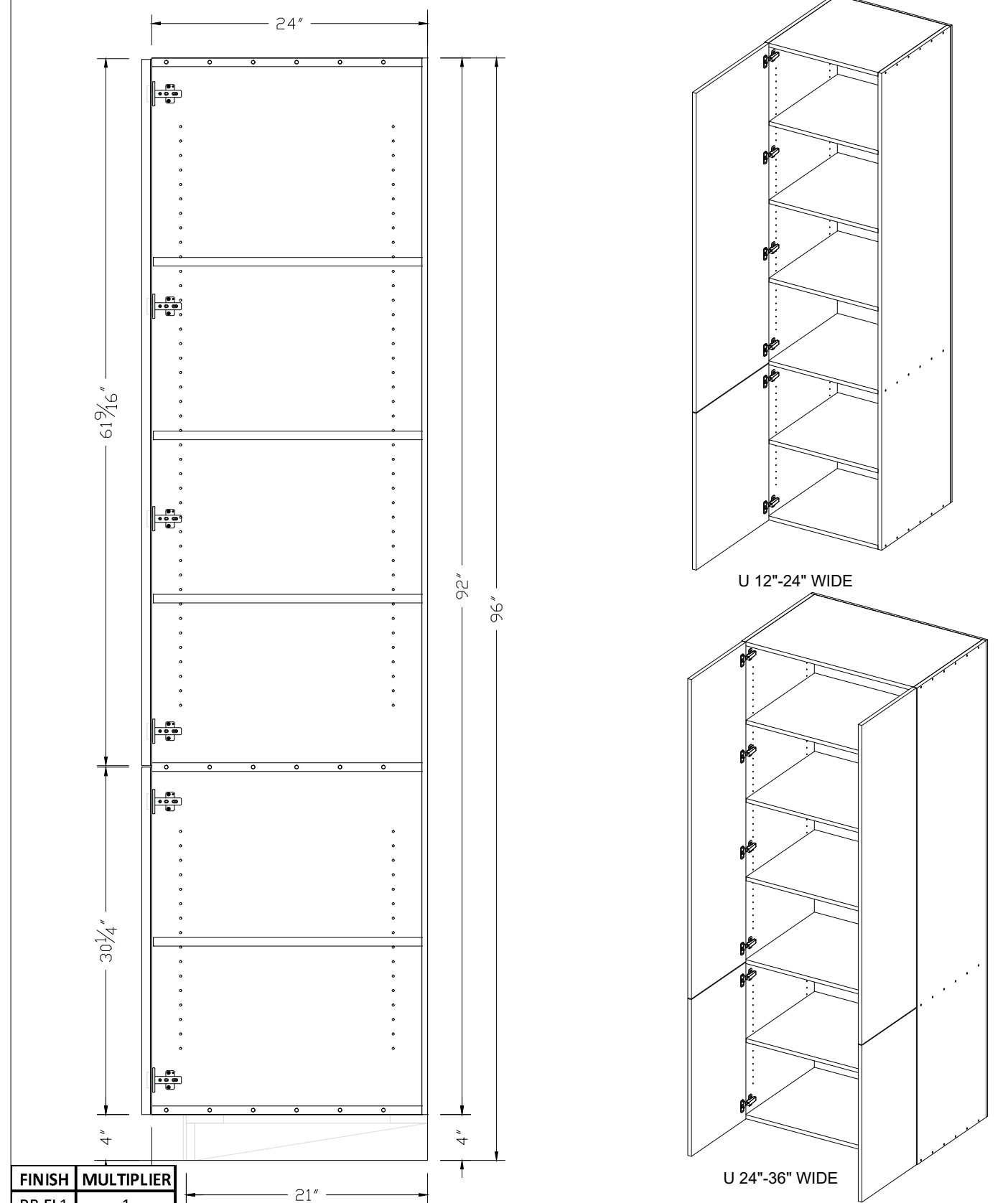
24" DEEP UTILITY FULL DOOR CABINET														
UFD	WIDTH													
	1 DOOR				2 DOORS				2 DOORS W/ DIVISION					
	12	15	18	21	24	24	27	30	33	36	36	39	42	45
92" H	567	621	686	744	805	955	1016	1073	1139	1196	1238	1277	1338	1395

FINISH	MULTIPLIER
PB FL1	1
PB FL2	1.3
PB FL3	1.6
PB FL4	1.9
PLY FL1	1.7
PLY FL2	2
PLY FL3	2.3
PLY FL4	2.6

U

UTILITY CABINET

SSi CASEWORK



FINISH	MULTIPLIER
PB FL1	1
PB FL2	1.3
PB FL3	1.6
PB FL4	1.9
PLY FL1	1.7
PLY FL2	2
PLY FL3	2.3
PLY FL4	2.6

24" DEEP UTILITY CABINET (STACKED DOOR 61 5/8", 30 1/4")										
U	WIDTH									
	1 DOOR					2 DOORS				
	12	15	18	21	24	24	27	30	33	36
92" H	571	629	690	748	809	958	1020	1077	1139	1196

WALL & REFRIGERATOR WALL CABINETS

W

RW

Wall Cabinet

Standard depth 12" excluding door.

When ordering please include depth and height of the box

W Width/Height/Depth (in inches)

Box Construction

Standard cabinets have 3/4" white melamine PB sides, bottom, stretchers and shelves with white PVC on all visible edges, and 1/2" white melamine PB back.

Premium cabinets have 3/4" maple veneer plywood sides, bottom, stretchers and shelves with maple edge band on all visible edges, and 1/2" maple veneer plywood back.

Hardware

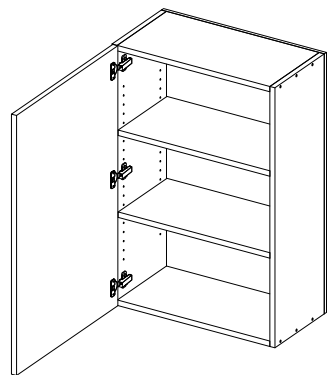
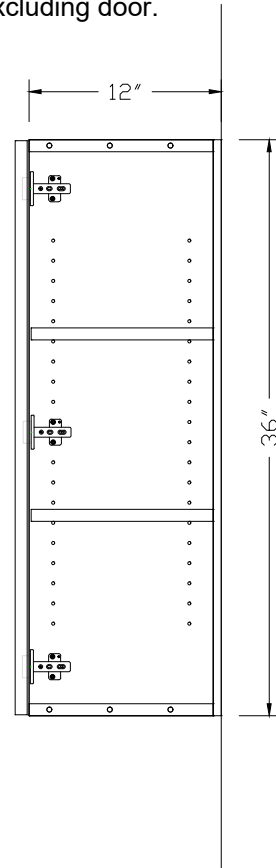
Concealed, adjustable, soft close hinges

Door

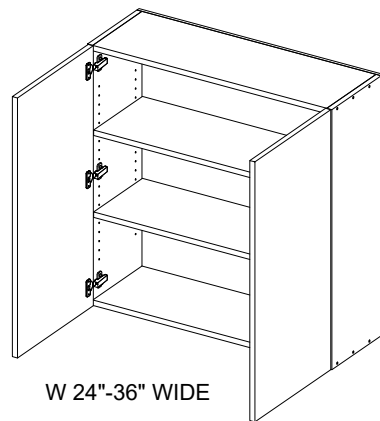
See finishes

Refrigerator Wall Cabinet

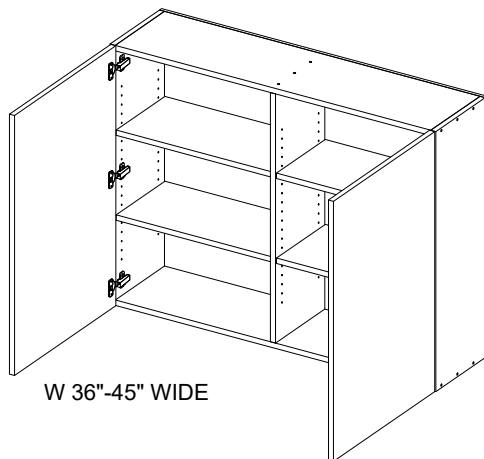
Standard depth 24" excluding door.



W 12"-24" WIDE



W 24"-36" WIDE



W 36"-45" WIDE

WALL & REFRIGERATOR WALL CABINETS

W

RW

12" DEEP WALL CABINETS

W	WIDTH													
	1 DOOR					2 DOORS					2 DOORS W/ DIVISION			
	12	15	18	21	24	24	27	30	33	36	36	39	42	45
HEIGHT 12	174	188	205	219	236	276	293	303	324	334	351	364	385	399
15	188	205	219	236	249	301	314	332	345	362	376	389	403	420
18	205	219	240	249	266	311	332	345	362	372	393	403	427	437
21	226	240	2553	266	284	332	345	358	376	393	406	427	441	458
24	240	253	270	284	305	349	366	376	397	410	431	445	466	479
27	261	278	291	312	326	370	387	404	418	439	449	466	479	500
30	278	291	312	326	343	391	408	422	443	452	470	483	504	514
33	295	316	330	347	360	412	426	443	456	473	487	504	518	539
36	320	334	351	360	381	426	447	456	477	491	512	521	542	552
39	337	355	368	385	399	447	460	481	495	512	525	546	560	581
42	351	368	385	399	416	464	481	495	512	529	546	560	577	594

24" DEEP REFRIGERATOR WALL CABINETS

RW	WIDTH													
	1 DOOR					2 DOORS					2 DOORS W/ DIVISION			
	12	15	18	21	24	24	27	30	33	36	36	39	42	45
HEIGHT 12	182	192	220	230	263	303	328	337	366	376	401	410	439	449
15	203	220	245	263	284	328	349	366	387	401	422	439	460	477
18	236	245	274	284	309	349	378	387	412	422	450	460	489	498
21	257	274	295	309	330	378	399	412	433	450	472	489	510	523
24	286	295	320	330	358	399	424	433	462	472	500	510	542	552
27	307	320	341	358	380	424	445	462	483	500	525	542	564	581
30	332	341	370	380	404	445	473	483	516	525	554	564	592	602
33	353	370	391	404	426	473	498	516	537	554	575	592	613	631
36	381	391	416	426	458	498	527	537	565	575	604	613	642	652
39	403	416	445	458	483	527	552	565	590	604	629	642	667	680
42	431	441	470	479	508	548	577	587	615	625	654	663	692	702

FINISH	MULTIPLIER
PB FL1	1
PB FL2	1.3
PB FL3	1.6
PB FL4	1.9
PLY FL1	1.7
PLY FL2	2
PLY FL3	2.3
PLY FL4	2.6

WALL BLIND CABINETS

Wall Blind Cabinet

Standard depth 12" excluding door.

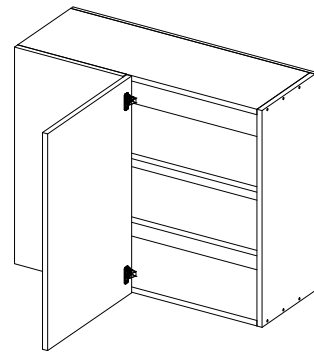
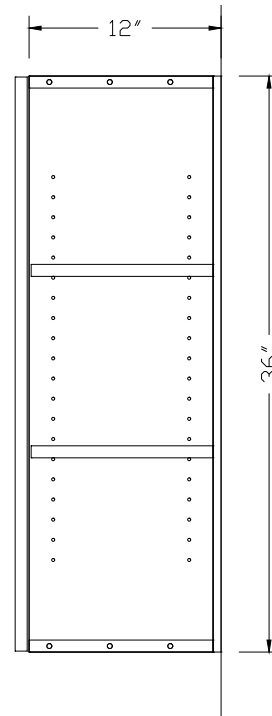
When ordering please include width, height & depth of the box

WB Width/Height/Depth (in inches)

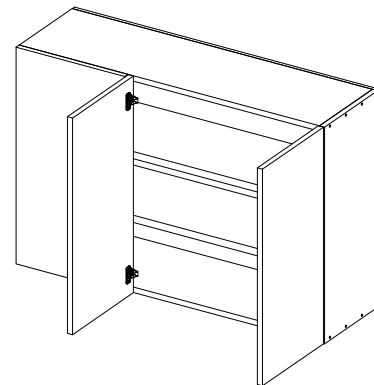
Box Construction

Standard cabinets have 3/4" white melamine PB sides, bottom, stretchers and shelves with white PVC on all visible edges, and 1/2" white melamine PB back.

Premium cabinets have 3/4" maple veneer plywood sides, bottom, stretchers and shelves with maple edge band on all visible edges, and 1/2" maple veneer plywood back.



WB 24"-36" WIDE



WB 36"-45" WIDE

12" DEEP WALL BLIND CABINETS									
WB	WIDTH								
	1 DOOR					2 DOOR			
	24	27	30	33	36	36	39	42	45
HEIGHT 12	276	293	303	324	334	351	364	385	399
15	301	314	332	345	362	376	389	403	420
18	311	332	345	362	372	393	403	427	437
21	332	345	358	376	393	406	427	441	458
24	349	366	376	397	410	431	445	466	479
27	370	387	404	418	439	449	466	479	500
30	391	408	422	443	452	470	483	504	514
33	412	426	443	456	473	487	504	518	539
36	426	447	456	477	491	512	521	542	552
39	447	460	481	495	512	525	546	560	581
42	464	481	495	512	529	546	560	577	594

FINISH	MULTIPLIER
PB FL1	1
PB FL2	1.3
PB FL3	1.6
PB FL4	1.9
PLY FL1	1.7
PLY FL2	2
PLY FL3	2.3
PLY FL4	2.6

WALL CORNER CABINETS

Wall Corner Cabinet

Standard depth 12" excluding door.

When ordering please include width, height & depth of the box

WC Width/Height/Depth (in inches)

Box Construction

Standard cabinets have 3/4" white melamine PB sides, bottom, stretchers and shelves with white PVC on all visible edges, and 1/2" white melamine PB back.

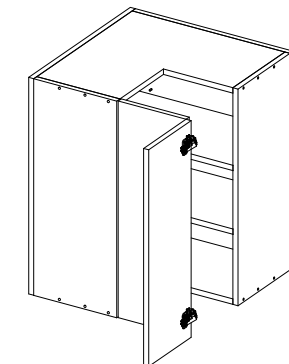
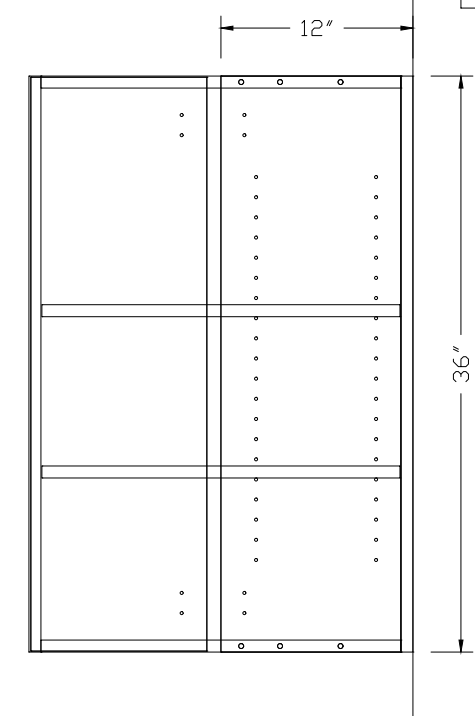
Premium cabinets have 3/4" maple veneer plywood sides, bottom, stretchers and shelves with maple edge band on all visible edges, and 1/2" maple veneer plywood back.

Hardware

Consealed, adjustable, stay up, soft close hinges

Door

See finishes



WC 24"-36" WIDE

12" DEEP WALL CORNER CABINETS						
WC	WIDTH					
	2 DOOR					
	24	27	30	33	36	
HEIGHT 12	334	351	364	385	399	
15	362	376	389	403	420	
18	372	393	403	427	437	
21	393	406	427	441	458	
24	410	431	445	466	479	
27	439	449	466	479	500	
30	452	470	483	504	514	
33	473	487	504	518	539	
36	491	512	521	542	552	
39	512	525	546	560	581	
42	529	546	560	577	594	

FINISH	MULTIPLIER
PB FL1	1
PB FL2	1.3
PB FL3	1.6
PB FL4	1.9
PLY FL1	1.7
PLY FL2	2
PLY FL3	2.3
PLY FL4	2.6

WALL OPEN SHELF CABINETS

Wall Open Shelf Cabinet

Standard depth 12"

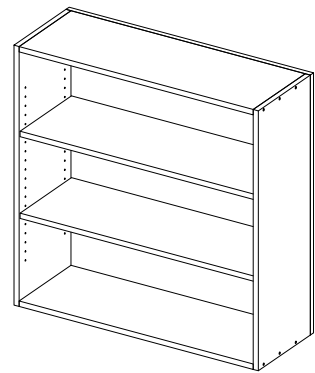
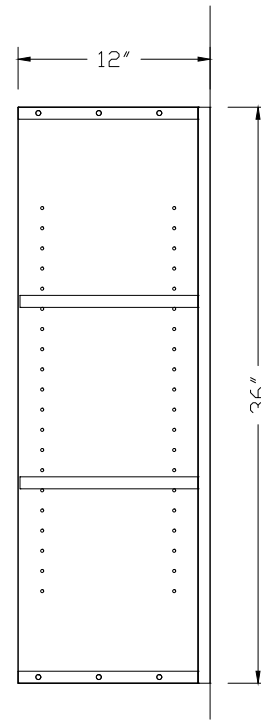
When ordering please include width, height & depth of the box

WOS Width/Height/Depth (in inches)

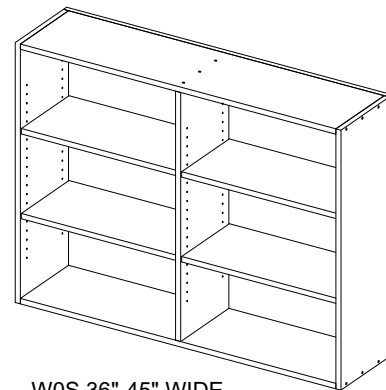
Box Construction

All cabinets have 3/4" MDF or PB sides, bottom, back, stretchers and shelf with matching edge band on all visible edges

See finishes



WOS 12"-36" WIDE



WOS 36"-45" WIDE

12" DEEP WALL OPEN SHELF CABINETS													
WOS	WIDTH												
	OPEN									OPEN W/ DIVISION			
	12	15	18	21	24	27	30	33	36	36	39	42	45
HEIGHT 12	207	221	240	254	272	287	305	319	337	352	370	384	403
15	236	254	268	287	301	319	334	352	366	384	399	417	431
18	268	283	301	315	334	348	366	380	399	413	431	446	464
21	297	315	330	348	362	380	395	413	427	446	460	478	493
24	330	344	362	377	395	409	427	442	460	474	493	507	525
27	358	377	399	424	446	471	493	518	540	574	587	611	633
30	391	413	438	460	485	507	532	554	579	601	626	648	673
33	420	446	467	493	514	540	561	587	608	633	655	680	702
36	452	481	514	542	575	604	636	665	698	726	759	788	820
39	481	514	542	575	604	636	665	698	726	759	788	820	849
42	514	542	575	604	636	665	698	726	759	788	820	849	882

FINISH	MULTIPLIER
FL1	1
FL2	1.8
FL3	2.6
FL4	3.3

WALL CABINETS W/ TOP HINGE

Wall Cabinet with Top Hinge

Standard depth 12" excluding door.

When ordering please include width, height & depth of the box

WT Width/Height/Depth (in inches)

Box Construction

Standard cabinets have 3/4" white melamine PB sides, bottom, stretchers and shelves with white PVC on all visible edges, and 1/2" white melamine PB back.

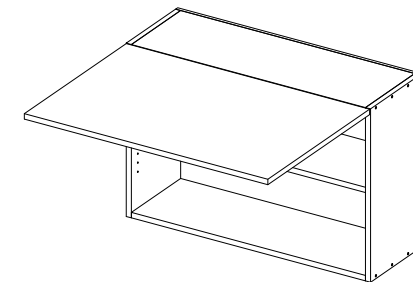
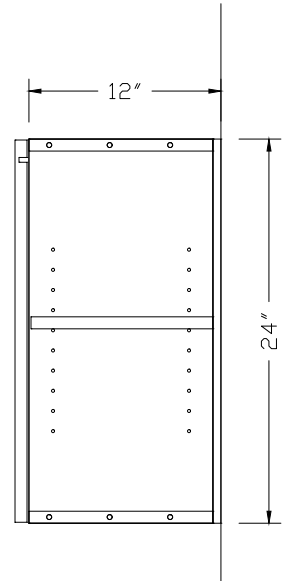
Premium cabinets have 3/4" maple veneer plywood sides, bottom, stretchers and shelves with maple edge band on all visible edges, and 1/2" maple veneer plywood back.

Hardware

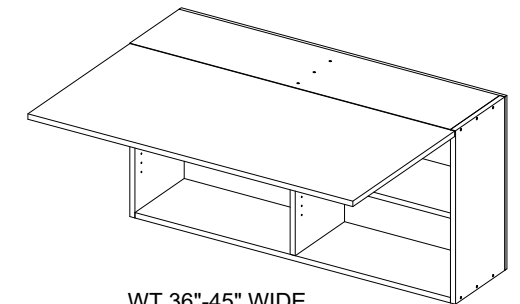
Consealed, adjustable, stay up, soft close hinges

Door

See finishes



WT 12"-36" WIDE



WT 36"-45" WIDE

12" DEEP WALL CABINETS W/ TOP HINGE												
WT	WIDTH											
	1 DOOR									1 DOOR W/ DIVISION		
	15	18	21	24	27	30	33	36	36	39	42	45
HEIGHT 12	339	348	357	369	373	385	394	406	410	423	431	444
15	345	355	368	378	392	402	415	425	432	443	456	466
18	358	373	384	399	410	425	435	449	456	470	480	495
21	376	388	404	416	432	445	461	472	480	493	509	521
24	389	406	420	437	450	468	481	498	502	519	533	550

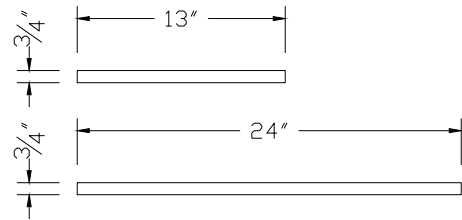
FINISH	MULTIPLIER
PB FL1	1
PB FL2	1.3
PB FL3	1.6
PB FL4	1.9
PLY FL1	1.7
PLY FL2	2
PLY FL3	2.3
PLY FL4	2.6

FEP

SSI CASEWORK
ACCESSORIES



FEP



Finished End Panel
Standard width 13" & 24"

When ordering please include width, height of the panel

FEP Width/Height (in inches)

Construction

All panels are 3/4" MDF or PB with matching edge band on all visible edges
See finishes

FINISHED END PANEL		
FEP	.75" THICK	
	13" WIDE	24" WIDE
96" LONG	211	307

FINISH	MULTIPLIER
FL1	1
FL2	1.8
FL3	2.6
FL4	3.3

F



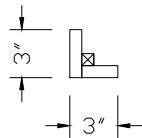
F

Filler
Standard width 3"

When ordering custom size please include width & height of the filler
F Width/Height (in inches)

Construction

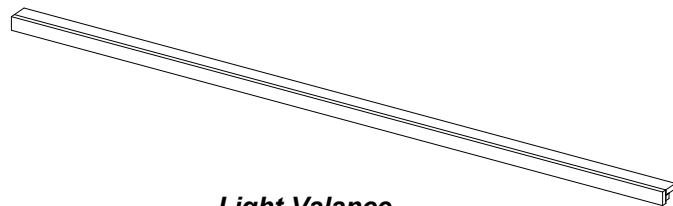
All panels are 3/4" MDF or PB with matching edge band on all visible edges
See finishes



FILLER	
F	CORNER
	3" X 3"
96" LONG	153

FINISH	MULTIPLIER
FL1	1
FL2	1.8
FL3	2.6
FL4	3.3

LV



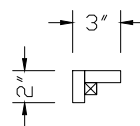
LV

Light Valance
Standard height 2"

When ordering custom size please include width & height of the filler
LV Width/Height (in inches)

Construction

All panels are 3/4" MDF or PB with matching edge band on all visible edges
See finishes

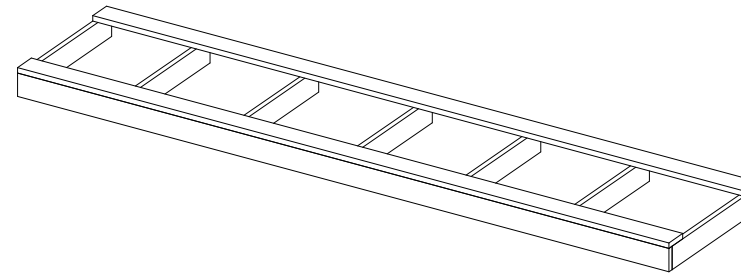


LIGHT VALANCE	
LV	CORNER
	2"H X 3"
96" LONG	146

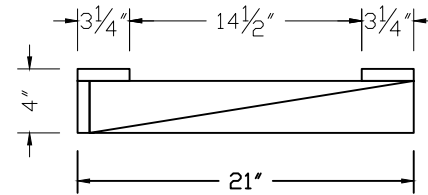
FINISH	MULTIPLIER
FL1	1
FL2	1.8
FL3	2.6
FL4	3.3

SSI CASEWORK
ACCESSORIES

PTK



PTK



Plywood Toe Kick
Standard depth 18" & 21"

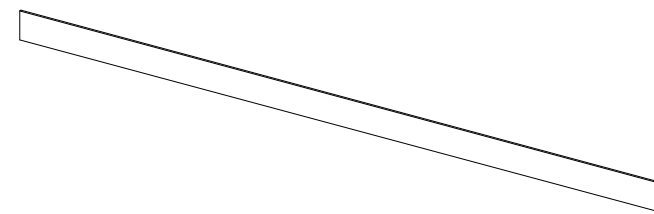
When ordering custom size please include width, height & depth of the toe kick frame
PTK Width/Height/Depth (in inches)

Construction

All toe kick parts are 3/4" plywood

PLYWOOD TOE KICK		
PTK	4" TALL	
	18" DEEP	21" DEEP
96" LONG	215	230

TKF



TKF

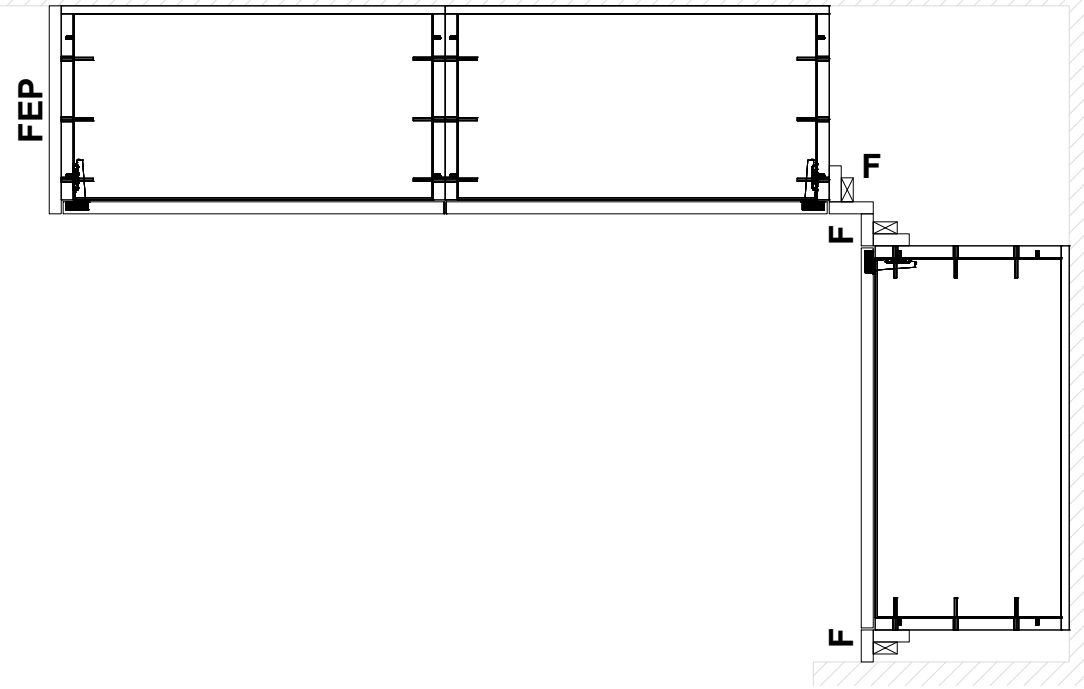
Toe Kick Front
Standard height 4"

When ordering custom size please include height & length of the toe kick frame
TKF Width/Height/Depth (in inches)
See finishes

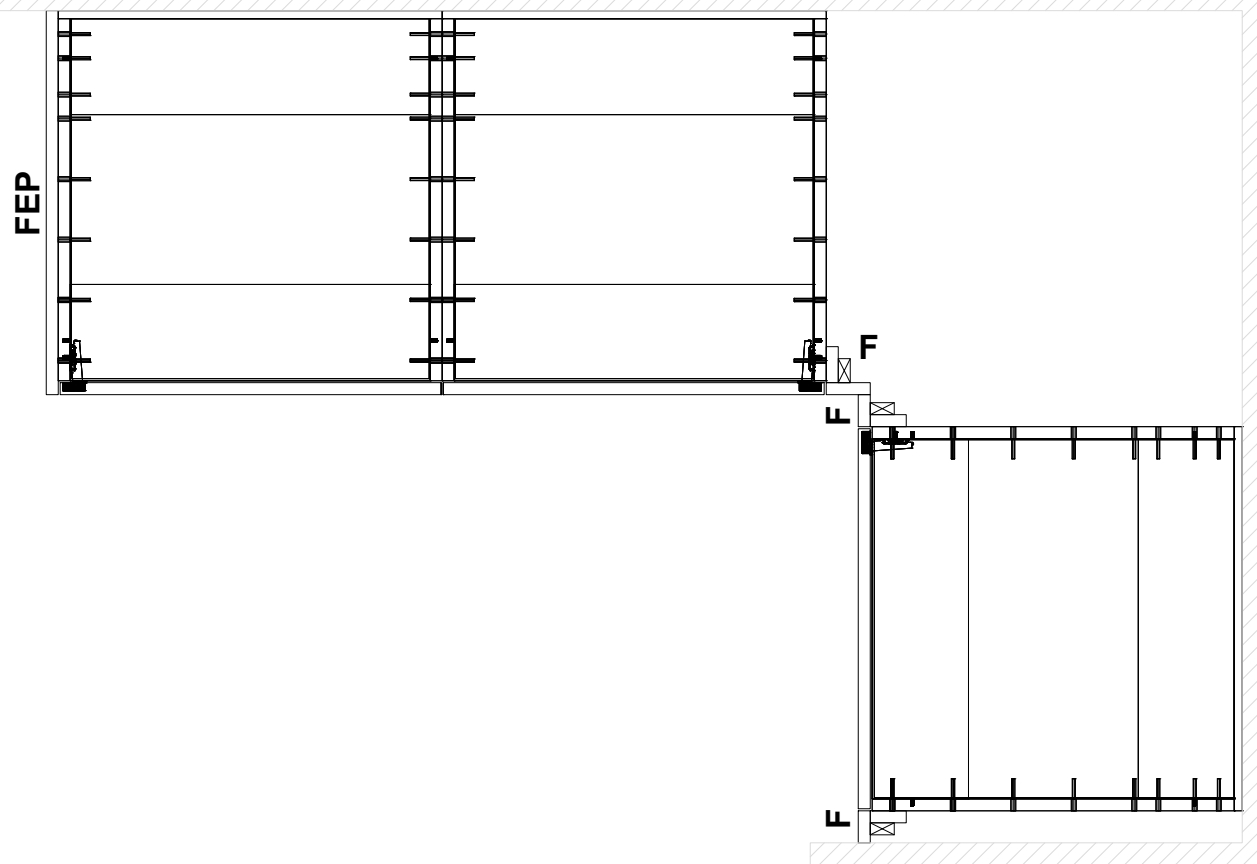
TOE KICK FRONT	
TKF	.25" THICK
	4" TALL
96" LONG	77

FINISH	MULTIPLIER
FL1	1
FL2	1.8
FL3	2.6
FL4	3.3

TYPICAL WALL CABINET PLAN SECTION

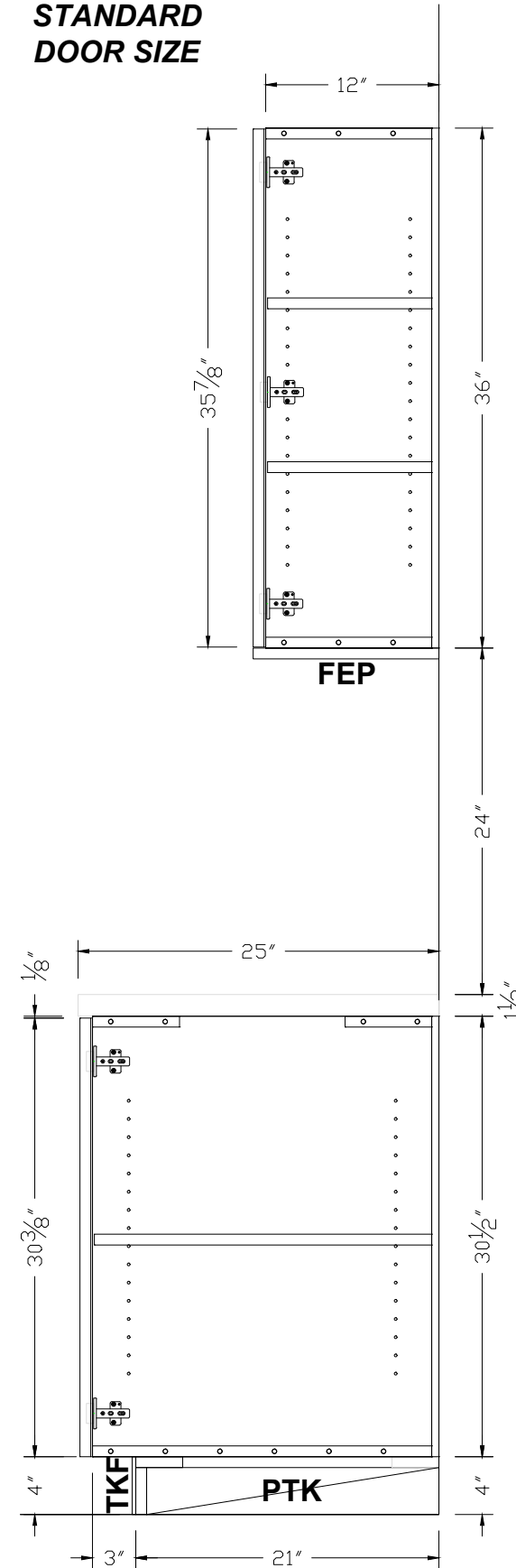


TYPICAL BASE CABINET PLAN SECTION

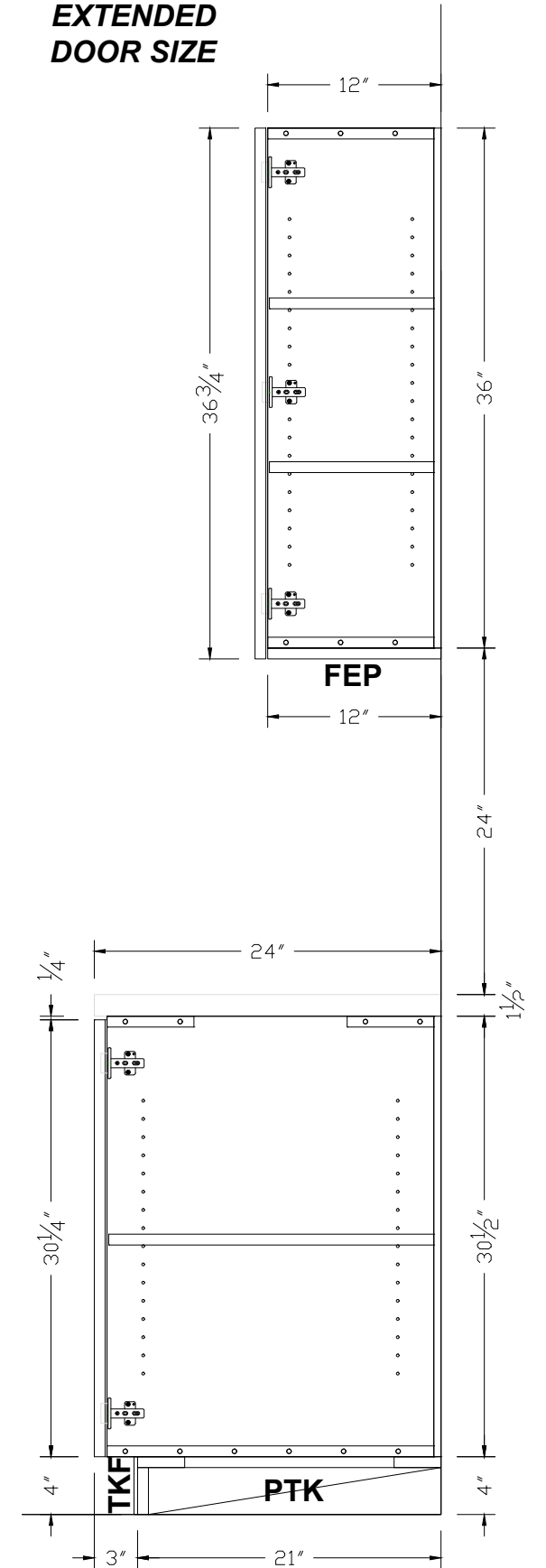


TYPICAL CABINET SECTIONS

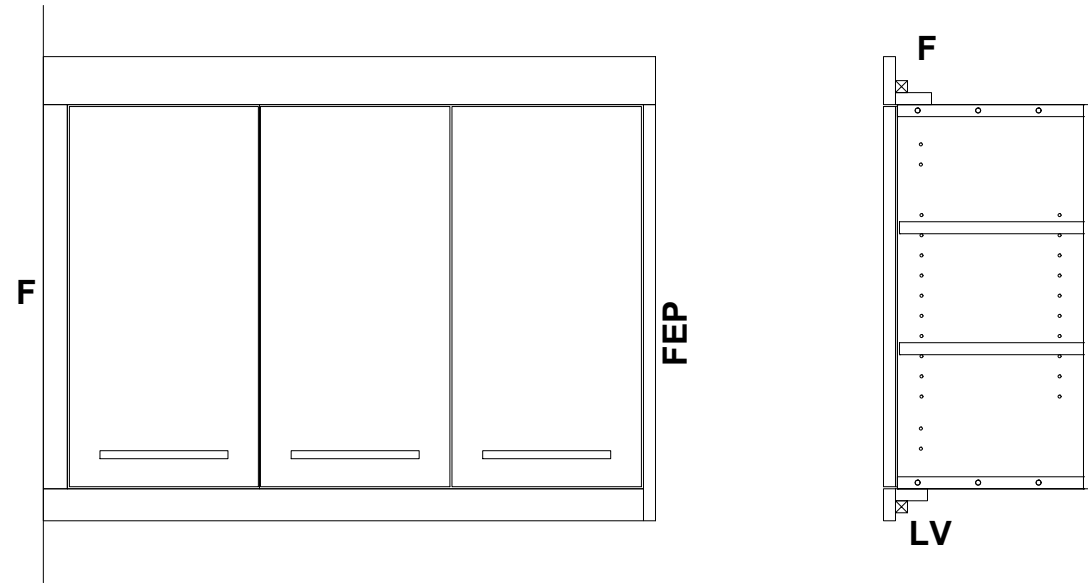
STANDARD DOOR SIZE



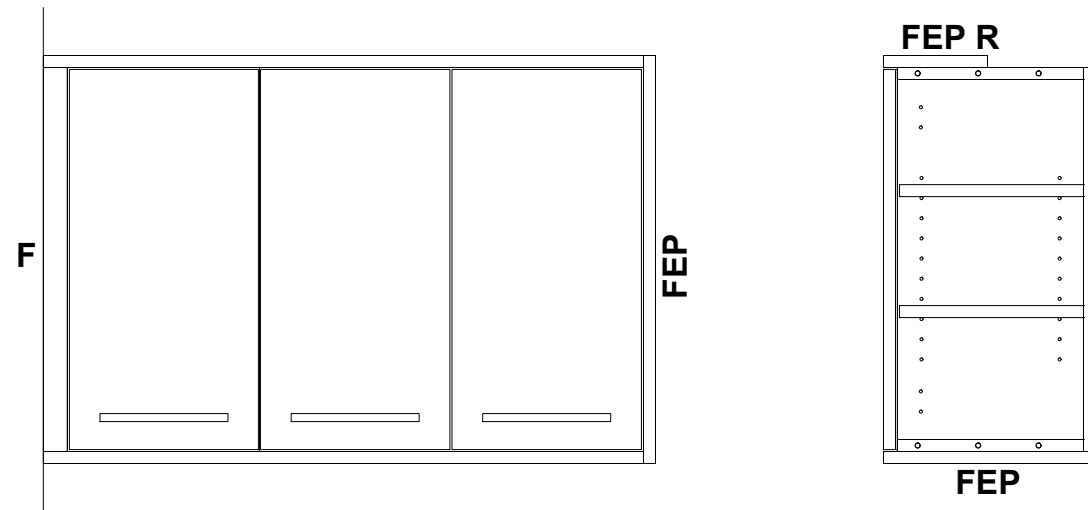
EXTENDED DOOR SIZE



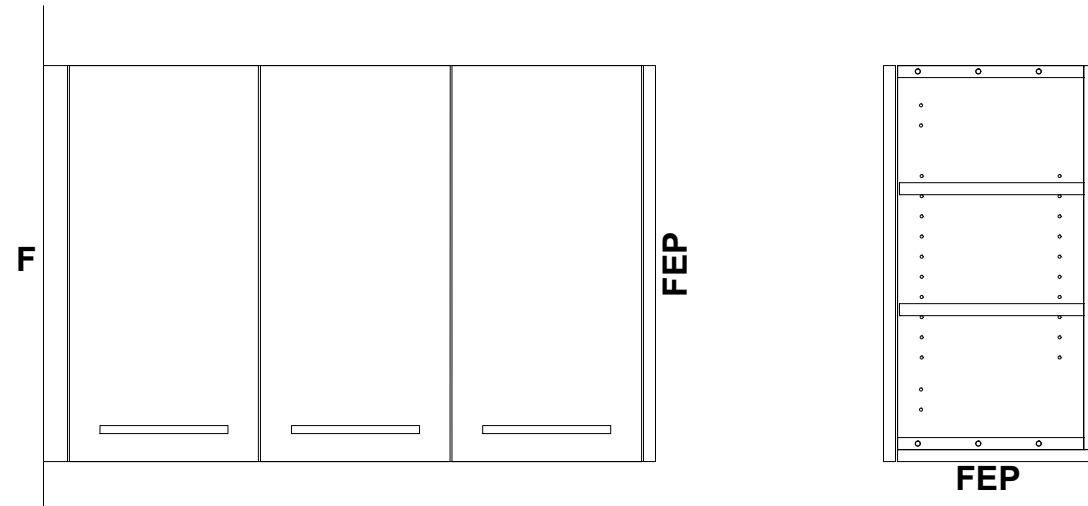
STANDARD WALL CABINET ELEVATION DETAILS



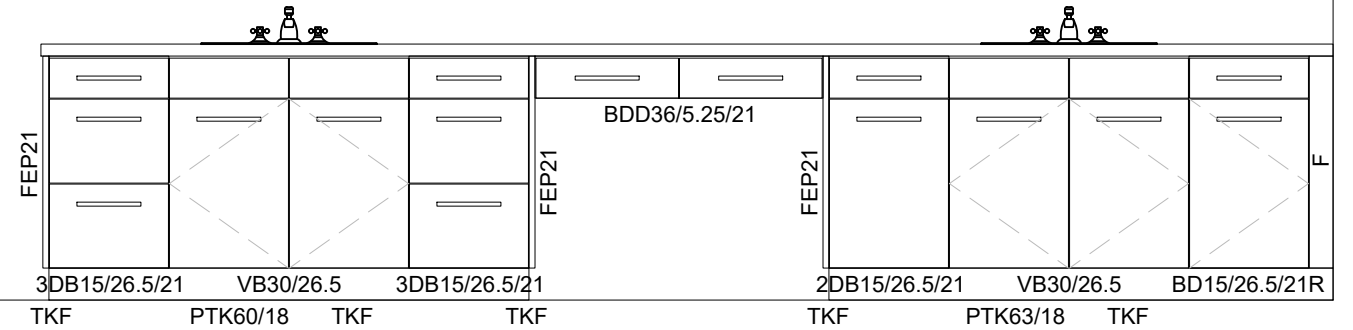
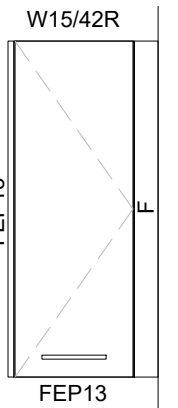
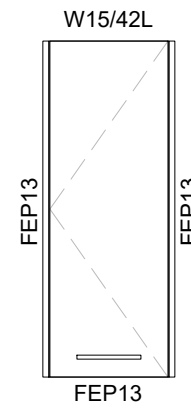
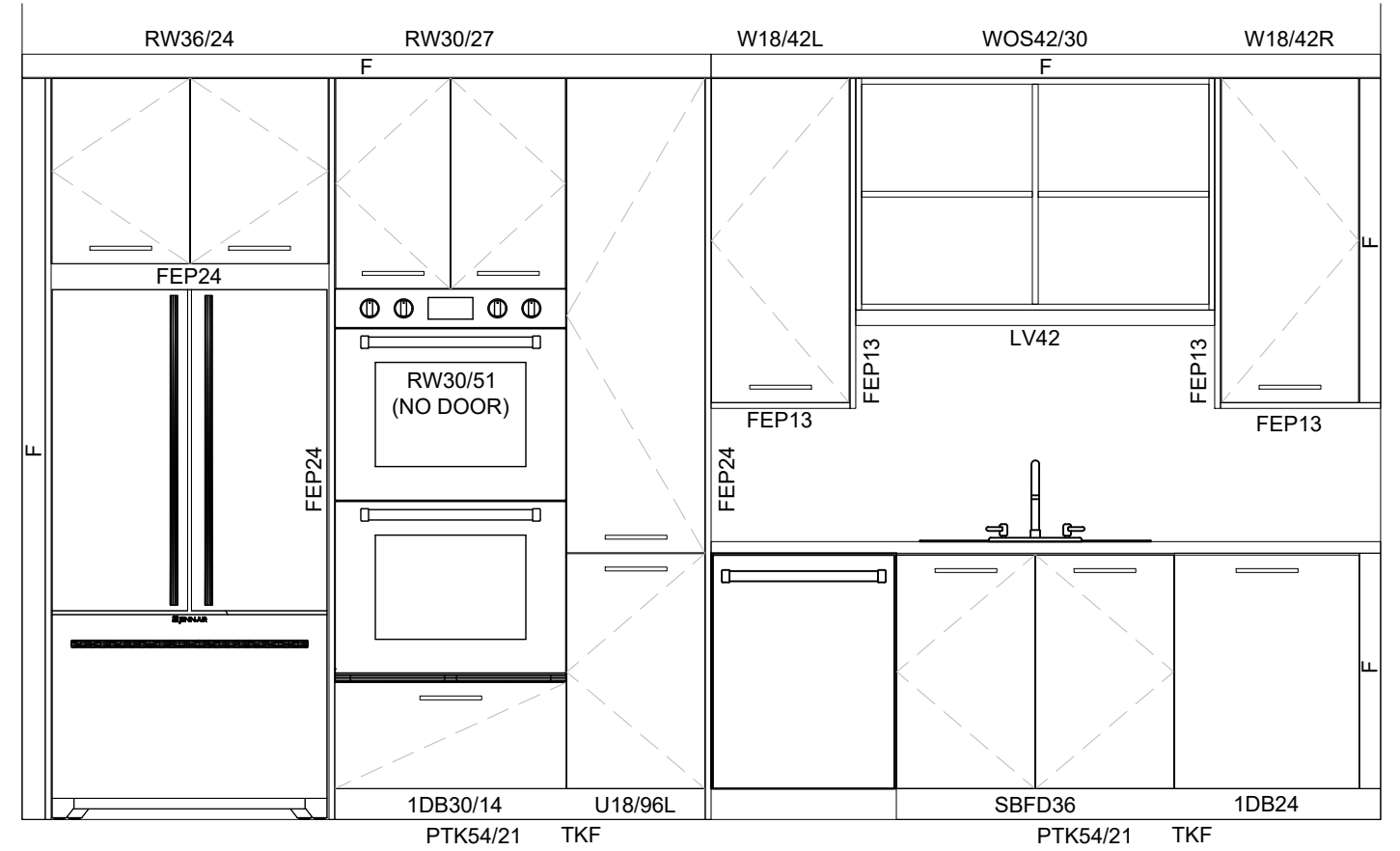
OPTIONAL WALL CABINET ELEVATION DETAILS



EXTENDED DOOR CABINET ELEVATION DETAILS



SAMPLE ELEVATIONS



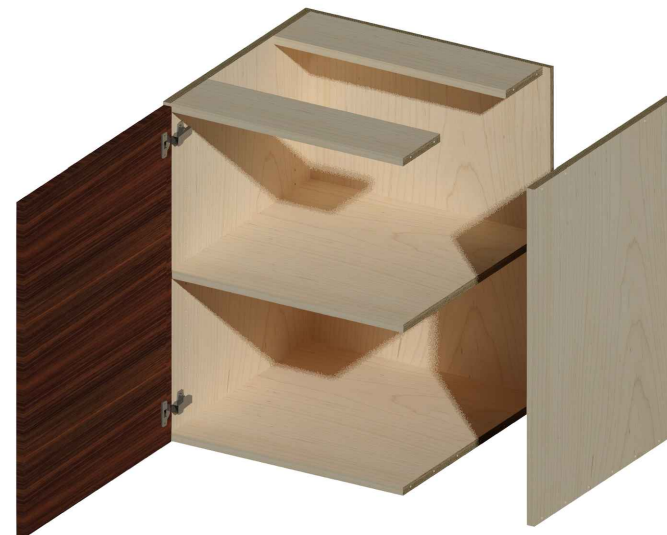
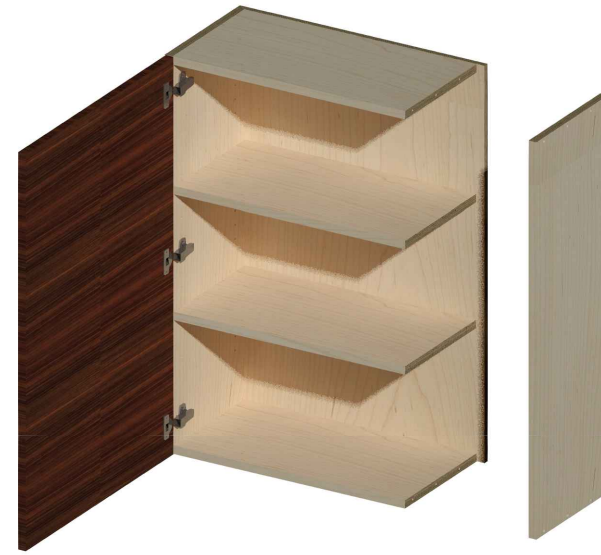
SSi CASEWORK

**STANDARD CABINET BOX
PARTICLE BOARD CORE
WHITE MELAMINE FINISH**



Drawer Box
White PVC wrap over particle board

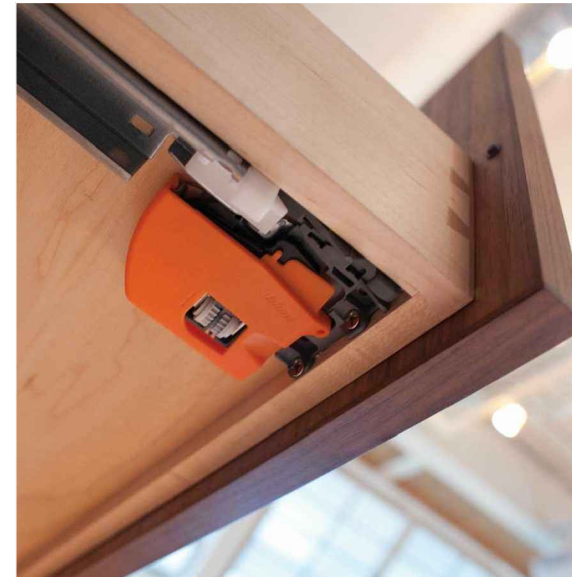
**PREMIUM CABINET BOX
PLYWOOD CORE
MAPLE VENEER FINISH**



Drawer Box
Solid wood dove tail drawer

SSi CASEWORK

HARDWARE



Drawer hardware
Undermount soft close drawer slides.



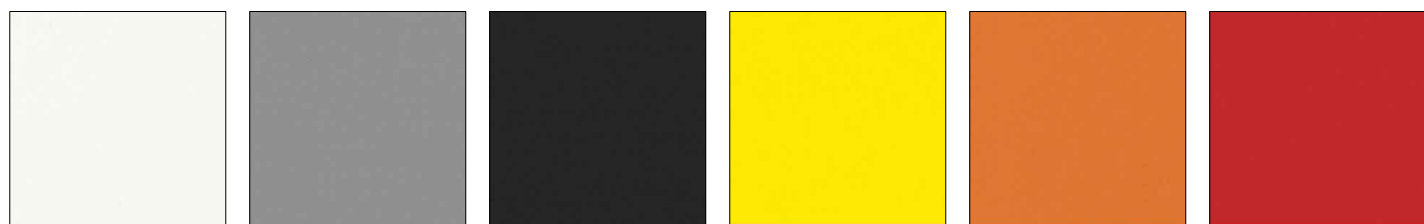
Door hardware
Concealed, adjustable, soft close hinges.



Top hinge hardware
Concealed, adjustable, stay up, soft close top hinges



HIGH GLOSS ACRYLIC



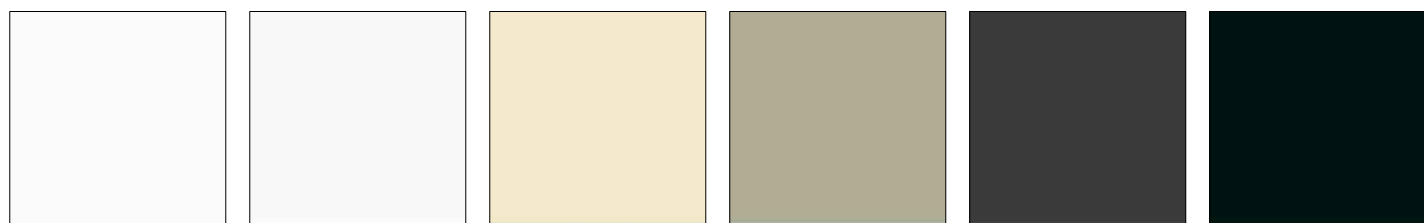
WHITE GREY DARK GREY YELLOW ORANGE RED



MATCHING EDGBANDING MATCHING EDGBANDING MATCHING EDGBANDING MATCHING EDGBANDING MATCHING EDGBANDING MATCHING EDGBANDING



3D EDGBANDING 3D EDGBANDING 3D EDGBANDING 3D EDGBANDING 3D EDGBANDING 3D EDGBANDING



ARCTIC ALABASTER SIERRA ASH SLATE CARBON



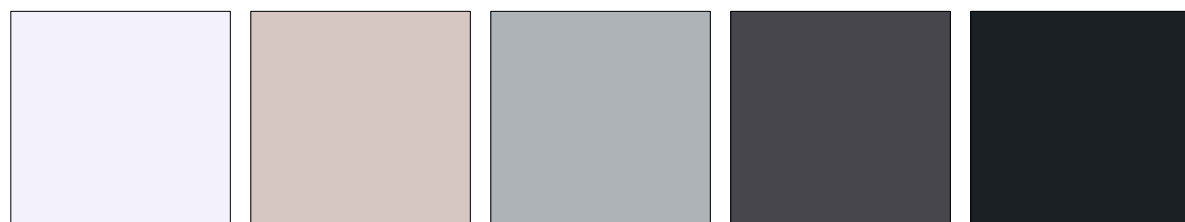
BRILLIANT PEARL SILVER GRAPHITE SIENNA TEAK TIERRA ELM

SUPER MATTE ACRYLIC



ARCTIC VELVET ASH VELVET SLATE VELVET CARBON VELVET PEBBLE SMOKE

TRACELESS FINISH LAMINATE



SNOW WHITE VELVET CREAM VELVET SILVER VELVET CHARCOAL VELVET BLACK VELVET

COMPOSITE VENEER FINISHES



WHITE OAK ZEBRAWOOD TEAK EBONY



VANILLA OBECHI WENGE EXPRESSO

5 PIECE GRAIN TEXTURE MELAMINE



ALTA OSLO LOFOTEN FINN



VEGA TAIGA DENALI

ALINED TEXTURE FINISH LAMINATE



ASHBEE OAK RUSKIN OAK FISHER OAK STICKLEY OAK CARTER OAK MORRIS OAK

LAMINATE FINISHES

SOFT GRAIN FINISH LAMINATE



WALNUT HEIGHTS OILED CHESTNUT RAW CHESTNUT WHITE CYPRESS WHITE BARN LANDMARK WOOD

CASUAL RUSTIC FINISH LAMINATE



WHITE DRIFTWOOD WEATHERED CHAR EBONY CHAR SADDLE OAK BRANDED OAK FAWN CYPRESS

LINEARITY FINISH LAMINATE



BLOND ECHO TAN ECHO XANADU RIO ASIAN NIGHT



ASIAN SUN ASIAN SAND STUDIO TEAK HIGH LINE ZEBRA WOOD

GLOSS LINE FINISH LAMINATE



LIGHT OAK PLY SILVER OAK PLY VERANDA TEAK PORTICO TEAK

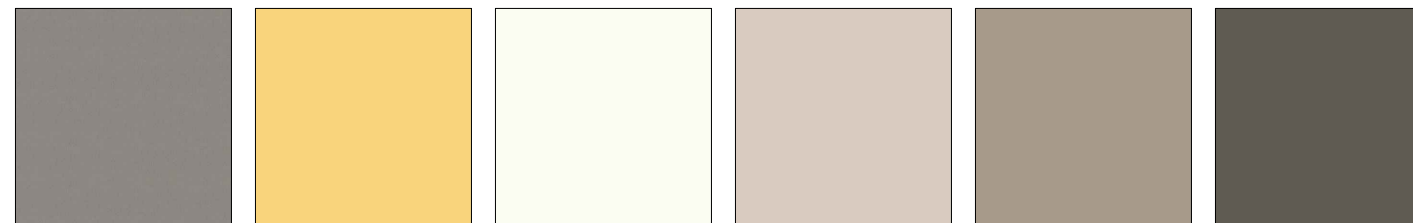
FINE GRAIN FINISH LAMINATE



WINDSOR MAHOGANY FIGURED MAHOGANY MONTANA WALNUT NEPAL TEAK ZANZIBAR HAMPTON WALNUT

MELAMINE FINISHES

SMOOTH TEXTURE MELAMINE



TITANIUM ST2 SAFFRON ST9 PREMIUM WHITE ST9 CASHMERE ST9 STONE GREY ST9 LAVA ST9

ROUGH TEXTURE MELAMINE



GREY LINEN ST10 GREY BARDOLINO OAK ST10 BROWN AUTHENTIC OAK ST10 TOBACCO PACIFIC WALNUT ST10

LINEAR TEXTURE MELAMINE



WOODLINE CREAM ST22 COCO BOLO ST22 MALI WENGE ST22 AMAZONAS ST22



SAND ZEBRANO ST22 HACIENDA WHITE ST22 SHOREWOOD ST22 HACIENDA BLACK ST22

WOOD TEXTURE MELAMINE



TOBACCO GLADSTONE OAK ST28 GREY BEIGE GLADSTONE OAK ST28 WHITE CAPE ELM ST29 DARK BROWN CAPE ELM ST29 BROWN ORLEANS OAK ST36 PASADENA PINE ST36